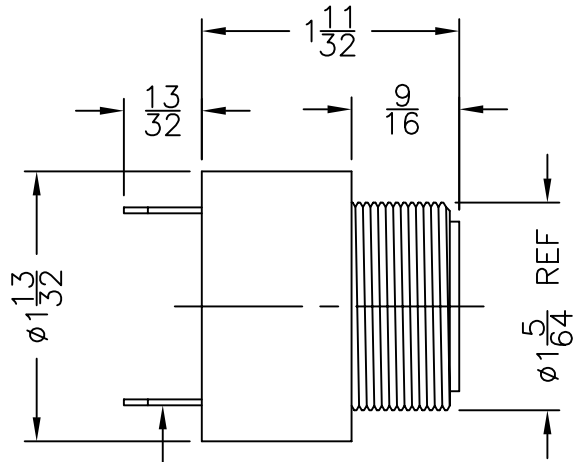


PIEZO BUZZER

PAGE
1

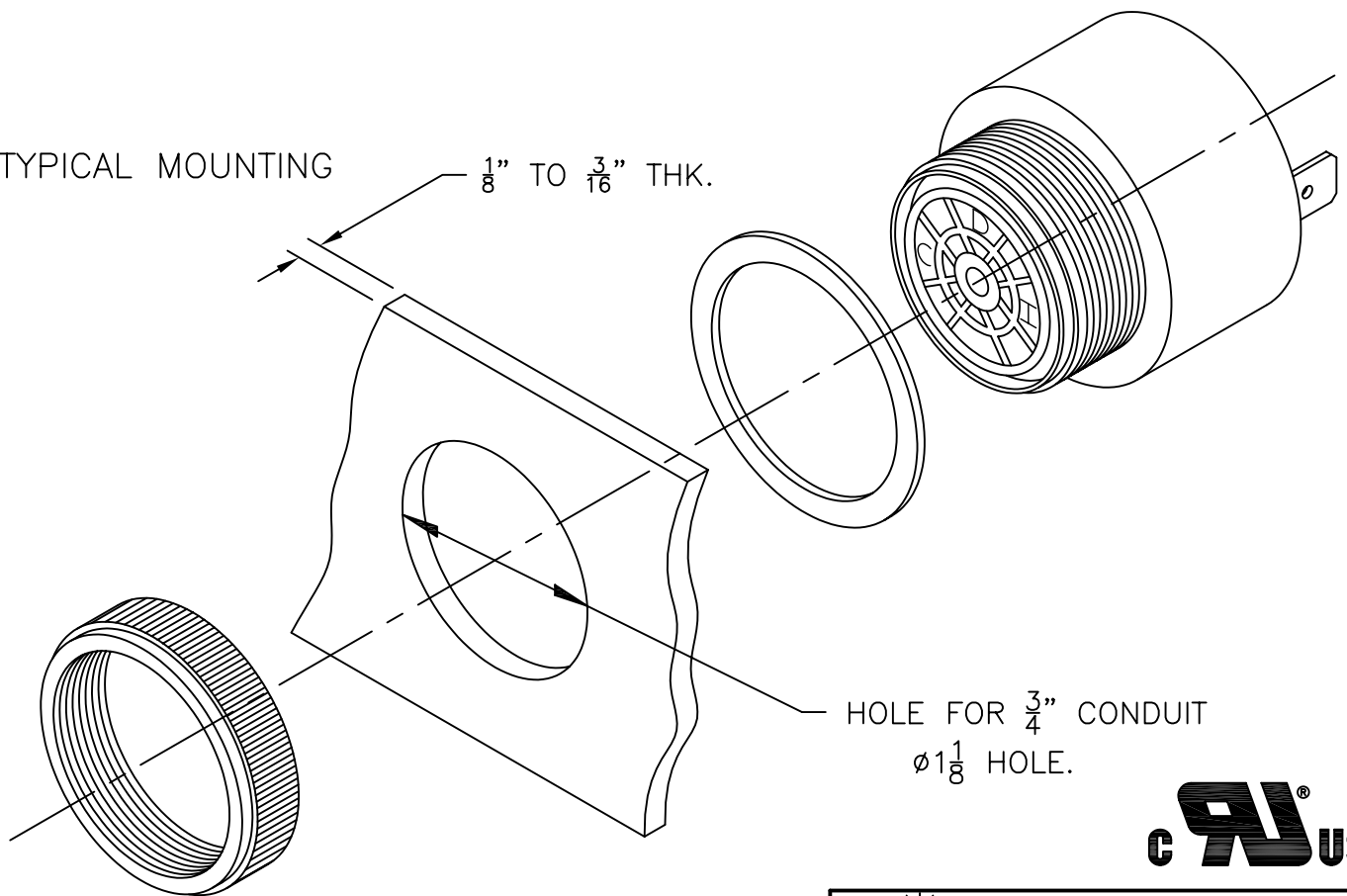


SPECIFICATIONS:

OUTPUT LEVEL: 95dB @ 2 FEET
85dB @ 10 FEET
VOLTAGE RANGE: 5-24 VAC/VDC
TONE TYPE: WARBLE
MEETS NEMA REQUIREMENTS FOR
TYPE 3, 3R, 4X, 12, AND 13.
UL RECOGNIZED #S8521

1/4" QUICK CONNECT TABS

TYPICAL MOUNTING



ALL INFORMATION CONTAINED IN THIS DRAWING IS
CONFIDENTIAL AND PROPRIETARY TO CONERY MFG, INC.



**Component
Design, Inc.**

CHANGES	TOLERANCES	DRAWN BY	DATE	SPECIFICATION SHEET DIMENSIONAL DATA	
F	DECIMALS .XXX = ±.005 .XX = ±.010	D. MIDDLETON	03/10/04		
E	FRACTIONAL X/X = ±.1/64	MATERIAL SPECIFICATION: AS NOTED		SCALE:	PART NO.
D	ANGLES X° = ±1/2°			FULL	PIEZO BUZZER
C					
B					
A					