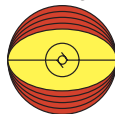




wheelock^{INC.}

Helping People Take ActionSM

Distributed By:



INGRAM
PRODUCTS, INC.

8725 Youngerman Court, Suite 206
Jacksonville, FL 32244

Tel: 904-778-1010 • Fax: 904-778-2444

Series Colored Lens Strobes

Amber
Blue
Green
Red

Description:

Wheelock's colored lens strobe products are available on Series RSS strobes and Series E speaker/strobes in amber, blue, green or red lens colors. These products are not Listed for fire alarm use, but they are built with the same high quality circuits and parts used in Wheelock's life safety strobes and speakers. They are designed for indoor use and can be either wall or ceiling mounted to standard electrical boxes or to Wheelock's surface mount boxes.

The strobes operate from 16 to 33 vdc (using filtered or FWR voltage). Intensity options for amber, blue and green lens strobes include multi-candela models with four field-selectable settings or high intensity 110 candela models. Red lens strobes are available in 75 or 110 candela models and are Listed under UL Standard 1638.

Series E speakers with colored lens strobes are field selectable for 25 or 70 VRMS operation with wattage taps of 1/8, 1/4, 1/2, 1 and 2 watts. Other Wheelock signaling products can also be provided with colored lens strobes - contact Customer Service for availability.


Applications:

Wheelock's colored lens strobe products are designed for effective alerting of employees or personnel in industrial, military or government applications. They are ideal for Mass Notification systems and for emergency, warning or trouble notification in many industrial operations.



Features:

- Choice of four strobe lens colors with wide range of intensity options
- Wide operating voltage range
- Strobes can be synchronized with Wheelock's SM or DSM sync modules or **POWERPATH™** power supplies
- Combination speaker/strobes available for voice messages with visual alerting
- Mount to standard electrical boxes
- High quality designs from the leader in fire notification alarms

NOTE: All CAUTIONS and WARNINGS are identified by the symbol  . All warnings are printed in bold capital letters.

▲ WARNING: PLEASE READ THESE SPECIFICATIONS AND ASSOCIATED INSTALLATION INSTRUCTIONS CAREFULLY BEFORE USING, SPECIFYING OR APPLYING THIS PRODUCT. FAILURE TO COMPLY WITH ANY OF THESE INSTRUCTIONS, CAUTIONS OR WARNINGS COULD RESULT IN IMPROPER APPLICATION, INSTALLATION AND/OR OPERATION OF THESE PRODUCTS IN AN EMERGENCY SITUATION, WHICH COULD RESULT IN PROPERTY DAMAGE, AND SERIOUS INJURY OR DEATH TO YOU AND/OR OTHERS.

General Notes

- “Regulated Voltage Range” is the newest terminology used by UL to identify the voltage range. Prior to this change, UL used the terminology “Listed Voltage Range”.
- Strobes are designed to flash at 1 flash per second minimum over the Regulated Voltage Range.
- Series RSS & RSSP Strobe products are listed for indoor use with a temperature range of 32° F to 120° F (0° C to 49° C) and maximum humidity of 93% (± 2%).

Specification and Ordering Information

MODEL CODE	ORDER CODE	LENS COLOR	STROBE CANDELA	MOUNTING OPTIONS	STROBE VOLTAGE	STROBE CURRENT (RMS)		AGENCY APPROVALS
						16 vdc	24 vdc	
			note 1	note 2	note 3	16 vdc	24 vdc	
RSSA-24110W-NW	0103	AMBER	110	w all or ceiling	24 vdc	0.300	0.195	none
RSSB-24110W-NW	0100	BLUE	110	w all or ceiling	24 vdc	0.300	0.195	none
RSSG-24110W-NW	0099	GREEN	110	w all or ceiling	24 vdc	0.300	0.195	none
RSSA-24MCC-NW	0202	AMBER	MCC	w all or ceiling	24 vdc	note 4		none
RSSB-24MCC-NW	0203	BLUE	MCC	w all or ceiling	24 vdc	note 4		none
RSSG-24MCC-NW	0204	GREEN	MCC	w all or ceiling	24 vdc	note 4		none
RSSR-24110C-NW	3111	RED	110	w all or ceiling	24 vdc	0.420	0.370	UL1638
RSSR-2475C-NW	3032	RED	75	w all or ceiling	24 vdc	0.315	0.200	UL1638
E70A-24110W-NW	0207	AMBER	110	w all or ceiling	24 vdc	0.300	0.195	none
E70B-24110W-NW	0208	BLUE	110	w all or ceiling	24 vdc	0.300	0.195	none
E70A-24MCC-NW	0209	AMBER	MCC	w all or ceiling	24 vdc	note 4		none
E70B-24MCC-NW	0210	BLUE	MCC	w all or ceiling	24 vdc	note 4		none
E90A-24110W-NW	0211	AMBER	110	ceiling	24 vdc	0.300	0.195	none
E90B-24110W-NW	0212	BLUE	110	ceiling	24 vdc	0.300	0.195	none
E90A-24MCC-NW	0213	AMBER	MCC	ceiling	24 vdc	note 4		none
E90B-24MCC-NW	0214	BLUE	MCC	ceiling	24 vdc	note 4		none

1. Candela is measured on axis per UL1638. Models with MCC strobes have 4 field-selectable candela settings. MCC settings are rated for clear lens - derate approximately 25% for amber, 55% for green and 70% for blue lenses.

2. Backboxes (ordered separately):

Series	flush	surface
RSS	4" x 1-1/2", 1-gang or 2-gang box	SHBB-W
E70	4" x 2-1/8" with extension ring	SBB-W
E90	4" x 2-1/8" with extension ring	na

3. All strobes operate from 16 to 33 volts at 1 flash/second using filtered or full-wave-rectified DC voltage. (See Installation Instructions)

4. Strobe current for MCC strobes:

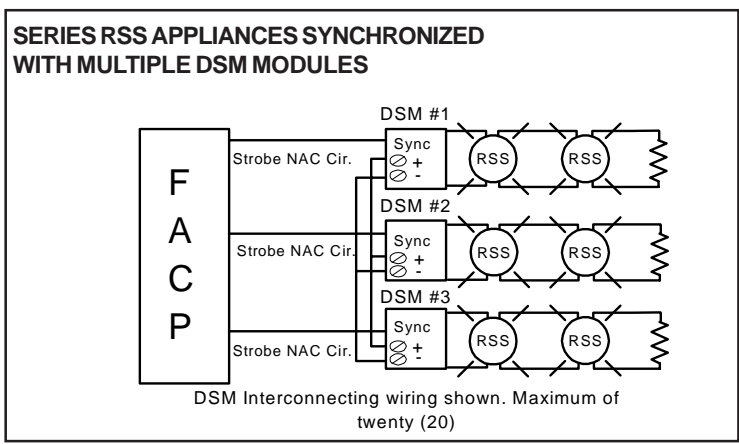
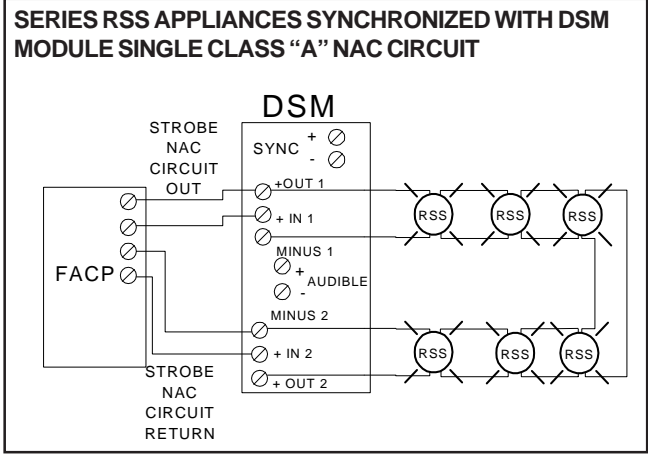
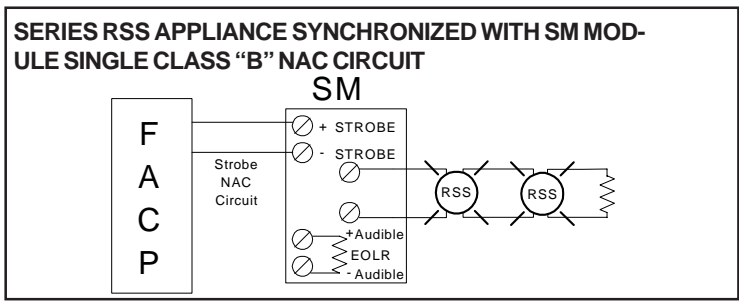
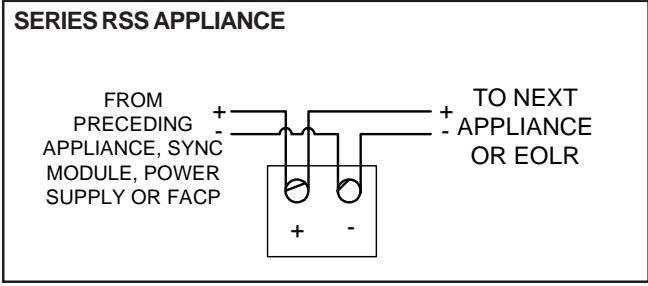
MCC setting	15	30	75	95
current @ 24 vdc	0.045	0.07	0.119	0.159
UL Max*	0.065	0.105	0.189	0.249

* RMS current ratings are per UL average RMS method. For strobes the UL max current is usually at the minimum listed voltage (16v for 24v units). For unfiltered FWR ratings, see installation instructions.

▲ WARNING: CONTACT WHEELLOCK FOR THE CURRENT “INSTALLATION INSTRUCTIONS” AND “GENERAL INFORMATION” SHEET (P82380) ON THESE PRODUCTS. THESE DOCUMENTS UNDERGO PERIODIC CHANGES. IT IS IMPORTANT THAT YOU HAVE CURRENT INFORMATION ON THESE PRODUCTS. THESE MATERIALS CONTAIN IMPORTANT INFORMATION THAT SHOULD BE READ PRIOR TO SPECIFYING OR INSTALLING THESE PRODUCTS, INCLUDING:

- TOTAL CURRENT REQUIRED BY ALL APPLIANCES CONNECTED TO SYSTEM SECONDARY POWER SOURCES.
- FUSE RATINGS ON NOTIFICATION APPLIANCE CIRCUITS TO HANDLE PEAK CURRENTS FROM ALL APPLIANCES ON THOSE CIRCUITS.
- ADDING, REPLACING OR CHANGING APPLIANCES OR CHANGING CANDELA SETTINGS WILL AFFECT CURRENT DRAW. RECALCULATE CURRENT DRAW TO INSURE THAT THE TOTAL AVERAGE CURRENT AND TOTAL PEAK REQUIRED BY ALL APPLIANCES DO NOT EXCEED THE RATED CAPACITY OF THE POWER SOURCE OR FUSES.
- COMPOSITE FLASH RATE FROM MULTIPLE STROBES WITHIN A PERSON'S FIELD OF VIEW.
- THE VOLTAGE APPLIED TO THESE PRODUCTS MUST BE WITHIN THEIR “REGULATED VOLTAGE RANGE”.
- INSTALLATION IN OFFICE AREAS AND OTHER SPECIFICATION AND INSTALLATION ISSUES.
- USE STROBES ONLY ON CIRCUITS WITH CONTINUOUSLY APPLIED OPERATING VOLTAGE. DO NOT USE STROBES ON CODED OR INTERRUPTED CIRCUITS IN WHICH THE APPLIED VOLTAGE IS CYCLED ON AND OFF AS THE STROBES MAY NOT FLASH.
- FAILURE TO COMPLY WITH THE INSTALLATION INSTRUCTIONS OR GENERAL INFORMATION SHEETS COULD RESULT IN IMPROPER INSTALLATION, APPLICATION, AND/OR OPERATION OF THESE PRODUCTS IN AN EMERGENCY SITUATION, WHICH COULD RESULT IN PROPERTY DAMAGE AND SERIOUS INJURY OR DEATH TO YOU AND/OR OTHERS.
- CONDUCTOR SIZE (AWG), LENGTH AND AMPACITY SHOULD BE TAKEN INTO CONSIDERATION PRIOR TO DESIGN AND INSTALLATION OF THESE PRODUCTS, PARTICULARLY IN RETROFIT INSTALLATIONS.

Wiring Diagrams



For detail using SM or DSM Sync Module refer to Data Sheet S3000 or Installation Instructions P83123 for SM and P83177 for DSM. For wiring information on the power supplies refer to Installation Instructions P84515 for PS-12/24-8CP and P84333 for PS-12/24-8MP.

Wheelock products must be used within their published specifications and must be PROPERLY specified, applied, installed, operated, maintained and operationally tested in accordance with their installation instructions at the time of installation and at least twice a year or more often and in accordance with local, state and federal codes, regulations and laws. Specification, application, installation, operation, maintenance and testing must be performed by qualified personnel for proper operation in accordance with all of the latest National Fire Protection Association (NFPA), Underwriters' Laboratories (UL), National Electrical Code (NEC), Occupational Safety and Health Administration (OSHA), local, state, county, province, district, federal and other applicable building and fire standards, guidelines, regulations, laws and codes including, but not limited to, all appendices and amendments and the requirements of the local authority having jurisdiction (AHJ).

Architects and Engineers Specifications

The visual notification appliances shall be Wheelock colored lens strobe products or approved equals. The strobe appliances shall operate from 16 to 33 VDC at 1 flash per second using filtered or FWR input voltage. They shall be compatible with reverse polarity supervision of circuit wiring when provided by the system control unit. Strobe intensity shall be 75 or 110 candela minimum or shall be field selectable for 4 intensity levels.

All appliances shall be capable of being mounted to recessed standard electrical boxes. Surface mount boxes shall also be available.

When synchronization is required, the strobes shall be compatible with Wheelock's SM, DSM sync modules or Wheelock's **POWERPATH™** power supplies with built-in patented Sync Protocol. The strobes shall not drift out of synchronization at any time during operation.

NOTE: Due to continuous development of our products, specifications and offerings are subject to change without notice in accordance with Wheelock, Inc. standard terms and conditions.