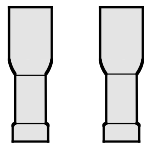
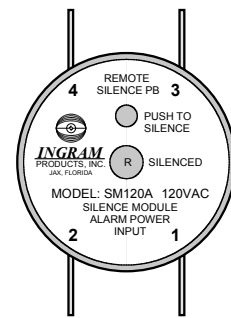
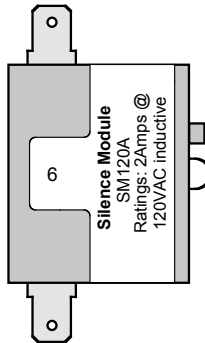
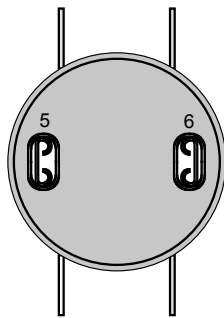
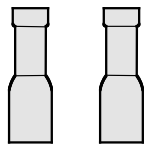


Silence Module



Part No.: SM120A, SM24D, SM12D



4ea 1/4" fully insulated connectors included



The new Ingram patent-pending Silence Module is a simple but clever device. It replaces the silence relay and socket normally used with audible alarms that require a silence push-button. The main benefits to OEM's are savings in labor, material and panel space. The Silence Module has an LED located on the back that, when lit, indicates that the alarm has been silenced. The Silence Module also has a built-in silence push-button that can be accessed from the back of the module. In addition to the integrated silence push button, the Silence Module has provisions to connect a remote silence push-button.

The Silence Module is designed for use with, but is not limited to, Ingram Products' Type PW piezo warbler audible alarm. The Silence Module simply plugs into the back of the piezo warbler as illustrated on the back of this page.

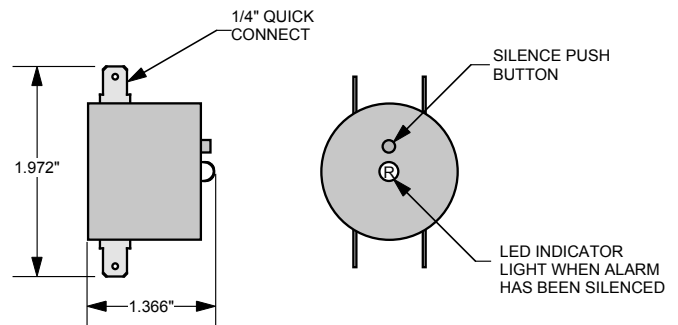
The Silence Module is available for use with 120VAC, 12 and 24VDC alarm power, the same as our piezo warblers. It will handle inductive and resistive loads up to 2 amps.

Features

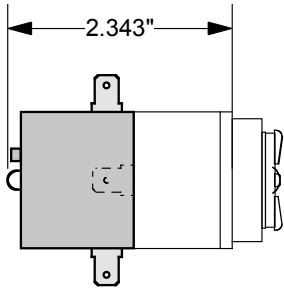
- ▶ UL recognized for use in UL508 industrial control panels. UL File No. E175530.
- ▶ All components are encapsulated for protection.
- ▶ Electrical connections are 1/4" quick connects for fast installation.
- ▶ LED indicates that the Silence Module is in the silenced condition.
- ▶ Easy to understand, install and operate.
- ▶ Built-in Silence push button accessible from back of Silence Module.
- ▶ Quick-connect terminal available for remote silence push button.
- ▶ All models are in stock and ready for same-day shipment.

Specifications

- ▶ SM120A rated for use with 120VAC audible alarm.
- ▶ SM24D rated for use with 24VDC audible alarm.
- ▶ SM12D rated for use with 12VDC
- ▶ Max current: 2 amps
- ▶ Power consumed: 8.5mA @ 120VAC.
20mA @ 24VDC
33mA @ 12VDC
- ▶ Operating temp: -30°C to +60°C.



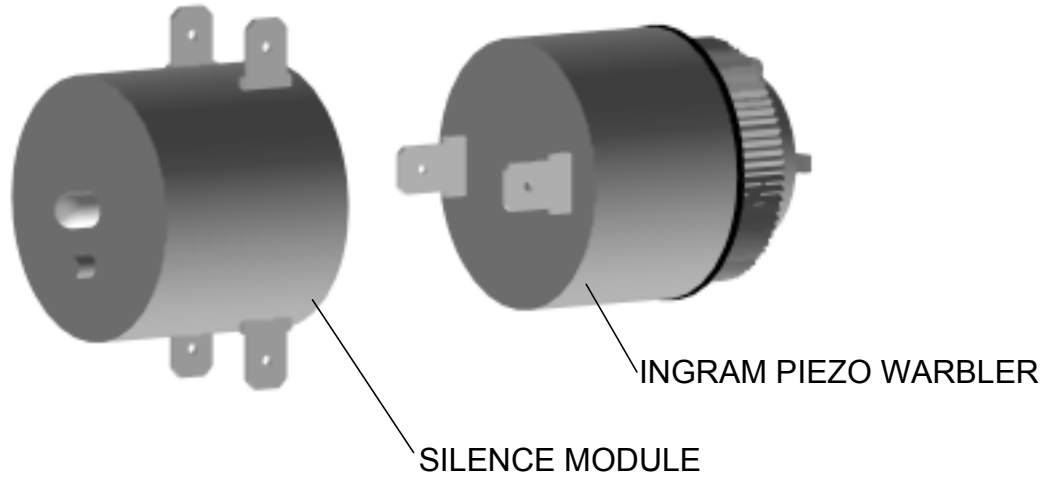
Note: In order to comply with UL requirements use fully insulated connectors for power and remote silence push button.



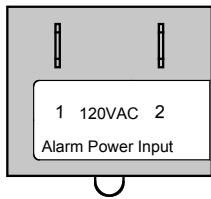
Silence Module installed on Ingram Piezo Warbler.

SILENCE MODULE

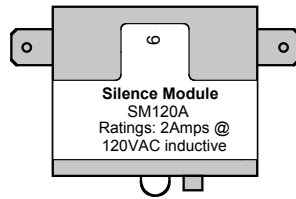
SM120A, SM24D, SM12D



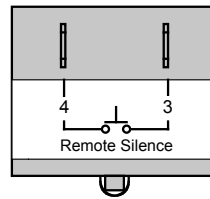
PIN NUMBERS



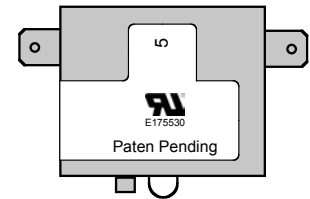
BOTTOM



LEFT SIDE



TOP



RIGHT SIDE

WIRING SCHEMATIC

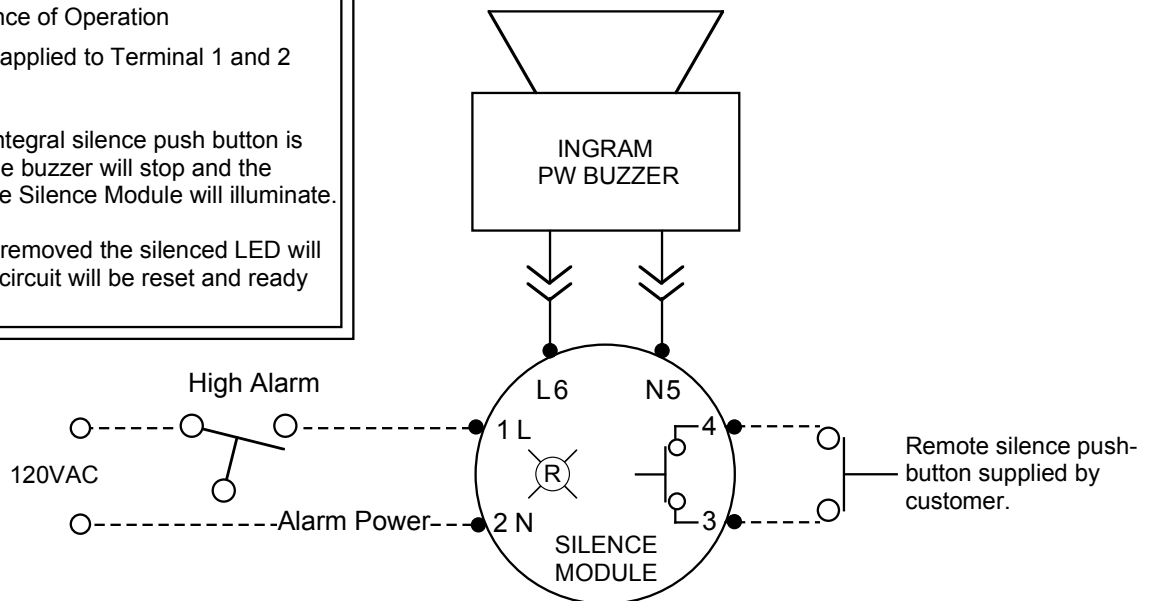
Max load: 2Amps inductive

Sequence of Operation

When alarm power is applied to Terminal 1 and 2 the buzzer will sound.

When the remote or integral silence push button is momentarily closed the buzzer will stop and the LED on the back of the Silence Module will illuminate.

When alarm power is removed the silenced LED will turn off. The silence circuit will be reset and ready for the next alarm.



CAUTION: OBSERVE POLARITY WHEN PLUGGING IN DC MODULES!