

# Alarm Light



Model: LX-60S



The Ingram LX-60S is designed for use in UL type 3, 3R, 4, 4X, 12, and 13 environments. The LX-60S alarm light is suitable for heavy duty applications indoors and outdoors. The lens is molded from shatter resistant GE Lexan. This tamper resistant light is particularly useful in areas with high ambient noise levels where an audible signal may not be heard.

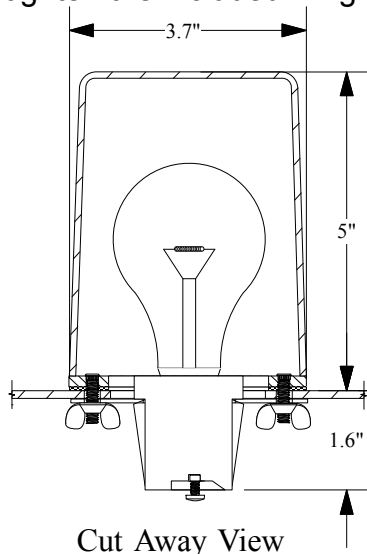
**\*\*\*\*Now Available\*\*\*\***

## LED Replacement Kit LX60SLED

Ingram's new UL recognized LED bulb will make your LX-60 even brighter than the original. Just replace the existing bracket and incandescent bulb with our new bracket and 30,000 hr LED bulb.

## Features

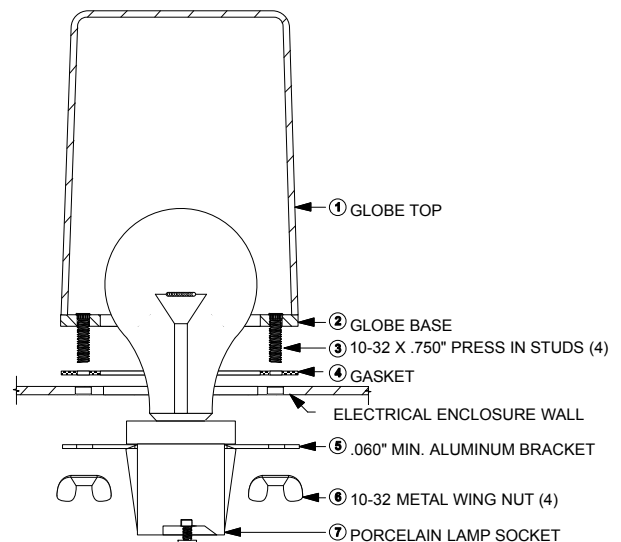
- UL recognized for use with UL Type 3, 3R, 4, 4X, 12, and 13 enclosures (E121431)
- Lens molded from GE Lexan that is shatter resistant and UV stabilized
- Weather/Hose Down Proof, and corrosion resistant
- Available in Red, Clear, and Amber
- High Intensity, visible in direct sunlight
- 60 Watt High Intensity Light
- No tools needed for installation- just tighten the included wingnuts



Cut Away View

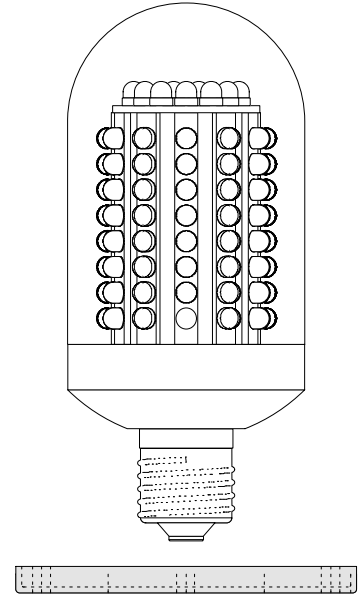
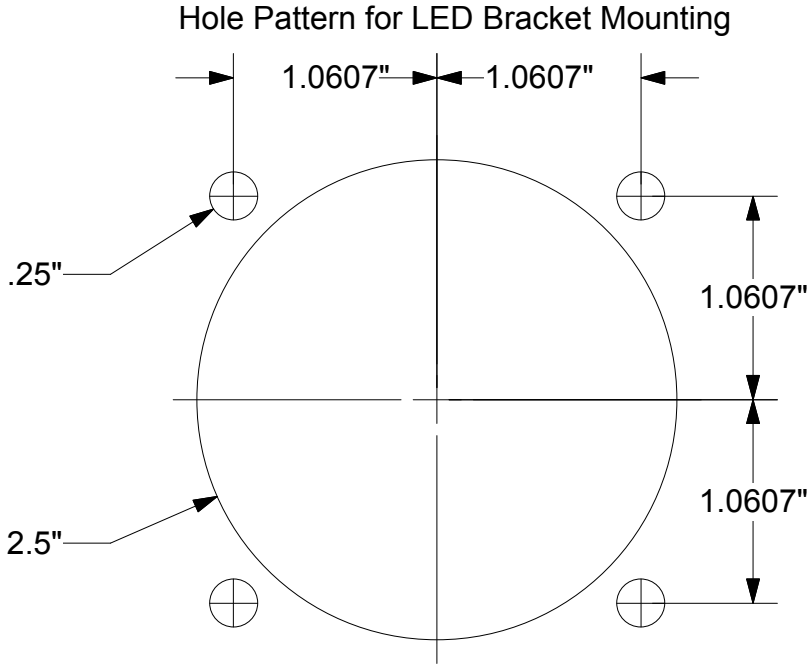
## Technical Specifications

- Voltage: 120VAC
- Current Draw: 0.5 amps max
- Supplied with 60 watt bulb
- Heavy-duty Nickel plated light bulb socket
- 60-watt rough service clear appliance light bulb to withstand temperature changes

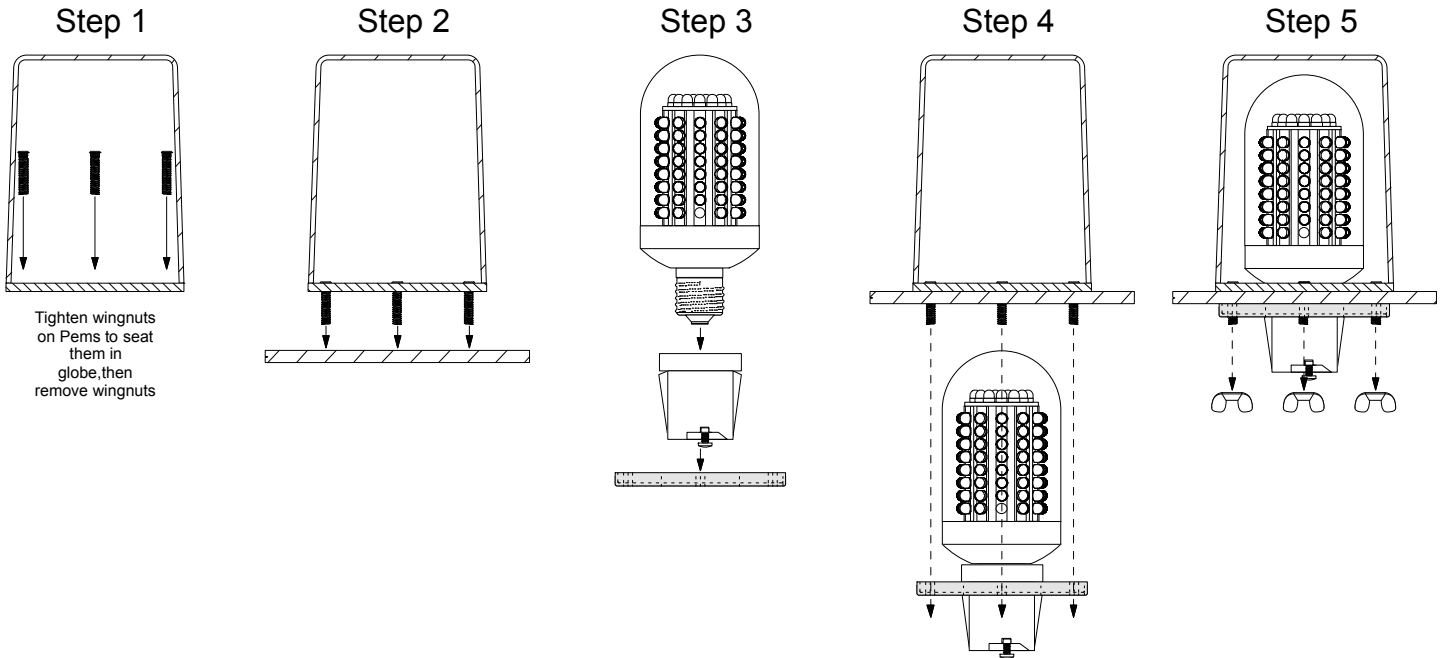


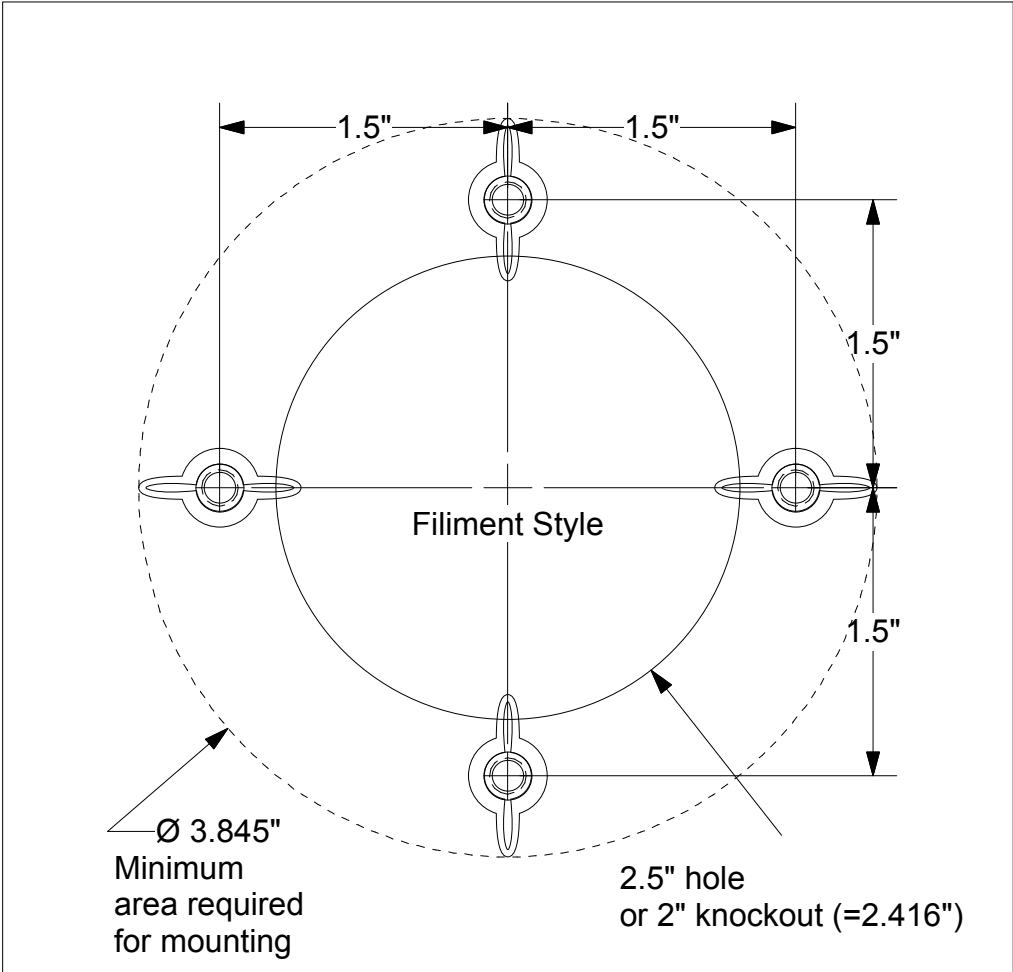
LX-60S Assembly

The new LED bulb (designated LX60LED120VR) may be purchased by itself for use in any residential or commercial setting.



### Assembly Instructions to replace with LED bulb





Mounting Templates

