

Flashing Alarm Light



Part No.: LX40F



The Ingram LX40F is a UL 3, 3R, 4, 4X, 12, 13 low cost flashing alarm light suitable for heavy duty applications inside and outdoors. The lens is molded from tough shatter resistant GE Lexan. This tamper resistant light is particularly useful in areas with high ambient noise levels where an audible signal may not be heard.

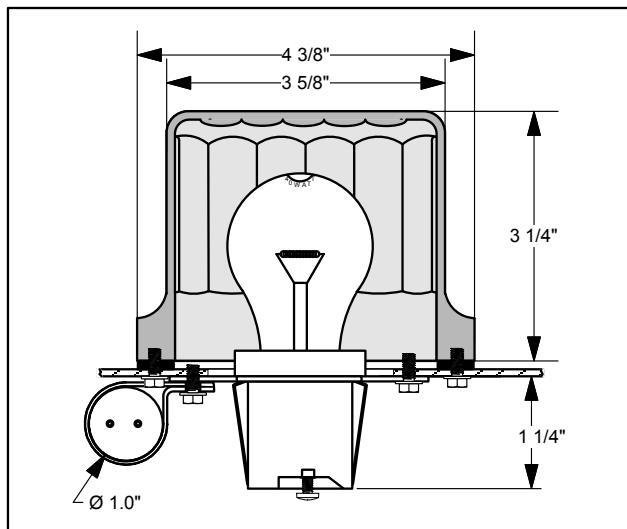
Features

- UL Recognized for use with UL NEMA Type 3, 3R, 4, 4X, 12 and 13 enclosures (E121431)
- Lens molded from GE Lexan that is shatter resistant and UV stabilized
- Low profile, top mounted gives 360 degree visibility
- Hose down proof
- Available in 5 colors: Red, Blue, Amber and Clear

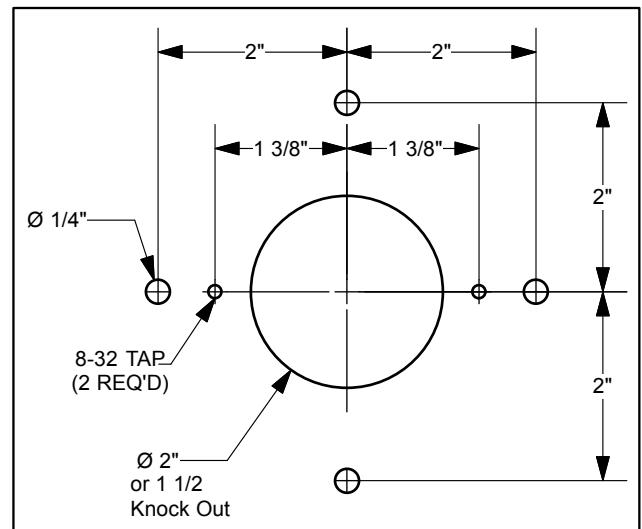
Technical Specifications

- Voltage: 130VAC
- Current Draw: 0.34 Amps max.
- 12 and 24 Volt available for special order
- Supplied with 40 watt bulb
Supplied with Ingram's SSF150W solid state flasher

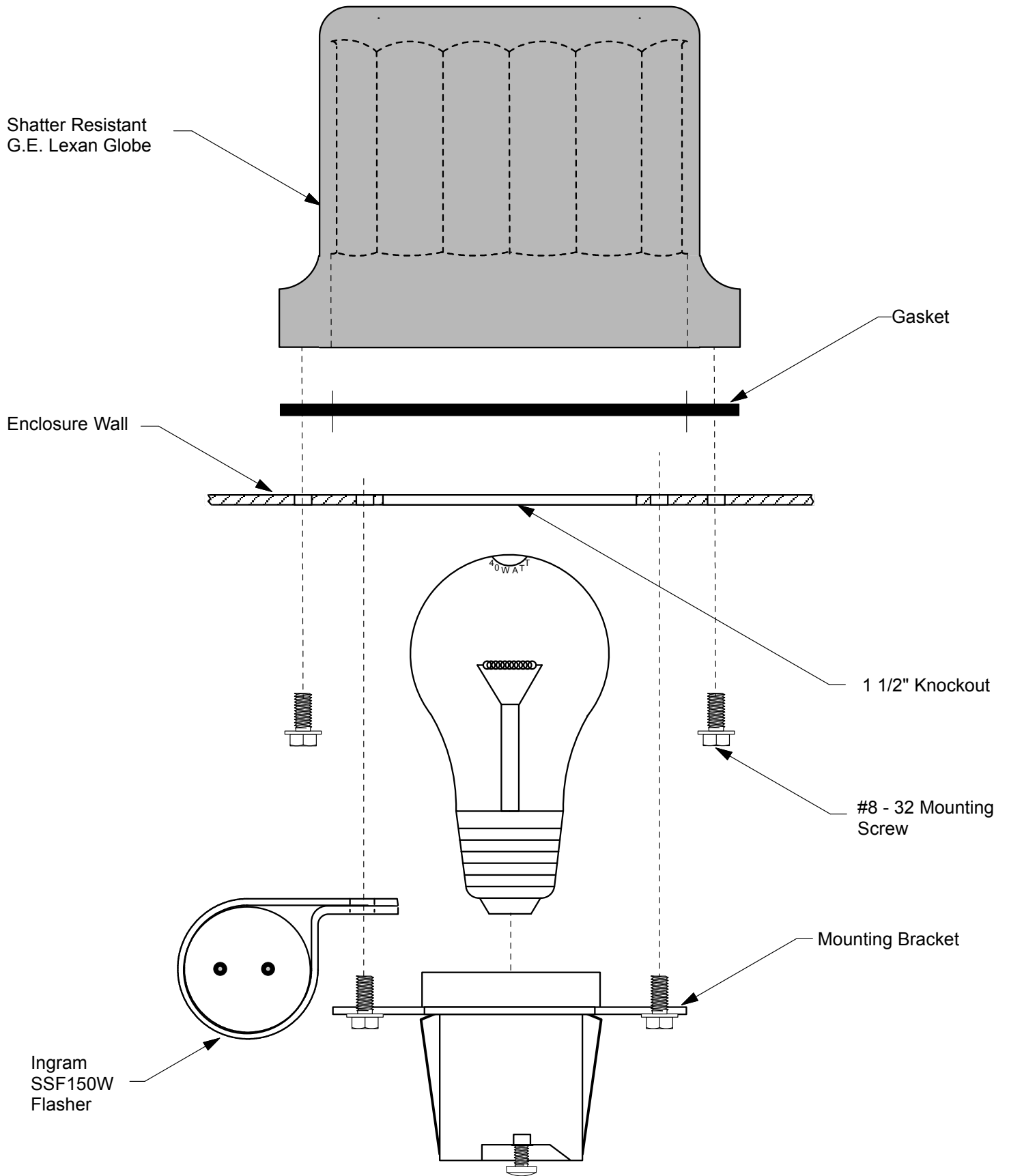
*The LX40F must be used with Ingram's SSF150W flasher in order to comply with UL requirements.



Cut-Away View



Hole Pattern For Mounting



LX40F Assembly