

SPECIFICATIONS:

FLASH SPEED: 75 PER MINUTE

INPUT VOLTAGE: 120 VAC

UL RECOGNIZED COMPONENT

1/4" QUICK CONNECT TERMINALS

DIMENSIONS: LENGTH 1 3/4"

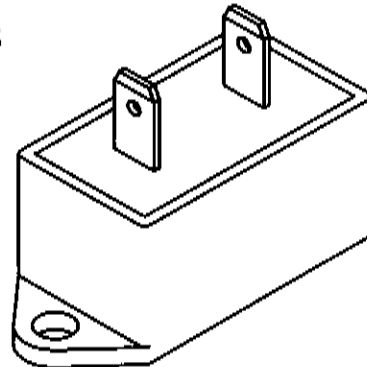
WIDTH: 1 3/8"

HIEGHT: 1 5/32"

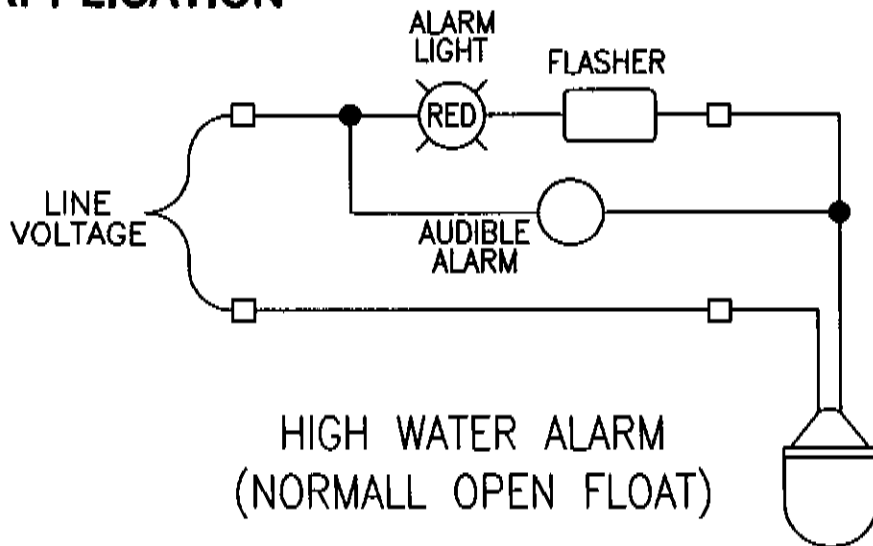
MAX. SCREW SIZE: #8

FLASHER

PAGE
1



TYPICAL APPLICATION



ALL INFORMATION CONTAINED IN THIS DRAWING IS
CONFIDENTIAL AND PROPRIETARY TO CONERY MFG, INC.



**Component
Design, Inc.**

CHANGES	TOLERANCES	DRAWN BY	DATE
F	DECIMALS .XXX = ±.005	D. MIDDLETON	03/10/04
E	.XX = ±.010	MATERIAL SPECIFICATION: AS NOTED	
D	FRACTIONAL		
C	X/X = ±.1/64		
B	ANGLES		
A	X' = ±1/2"		

**SPECIFICATION SHEET
DIMENSIONAL DATA**

SCALE:	PART NO.
FULL	SOLID STATE