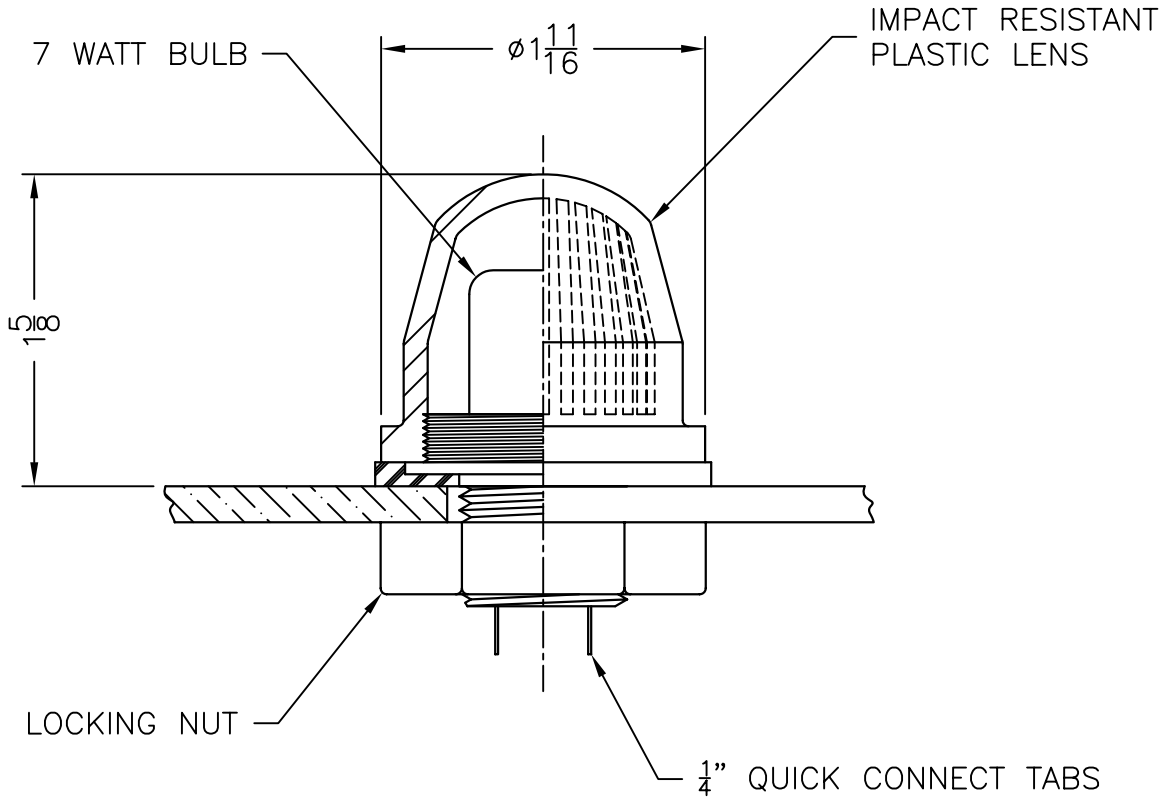




***7-XS SERIES**

PAGE
1

MOUNTING TYPE: SINGLE $\phi \frac{7}{8}$ HOLE.



ALL INFORMATION CONTAINED IN THIS DRAWING IS
CONFIDENTIAL AND PROPRIETARY TO AC/DC EQUIPMENT CO.

AC/DC
EQUIPMENT CO.

ASS'Y, 7-XS
LENS

SCALE: PART NO.

FULL

LENS ASS'Y

CHANGES	TOLERANCES	DRAWN BY	DATE
F	DECIMALS	A.M.	01/30/04
E	.XXX = ± 0.005	MATERIAL SPECIFICATION: AS NOTED	
D	.XX = ± 0.010		
C	FRACTIONAL		
B	X/X = $\pm 1/64$		
A	ANGLES		
	X' = $\pm 1/2'$		