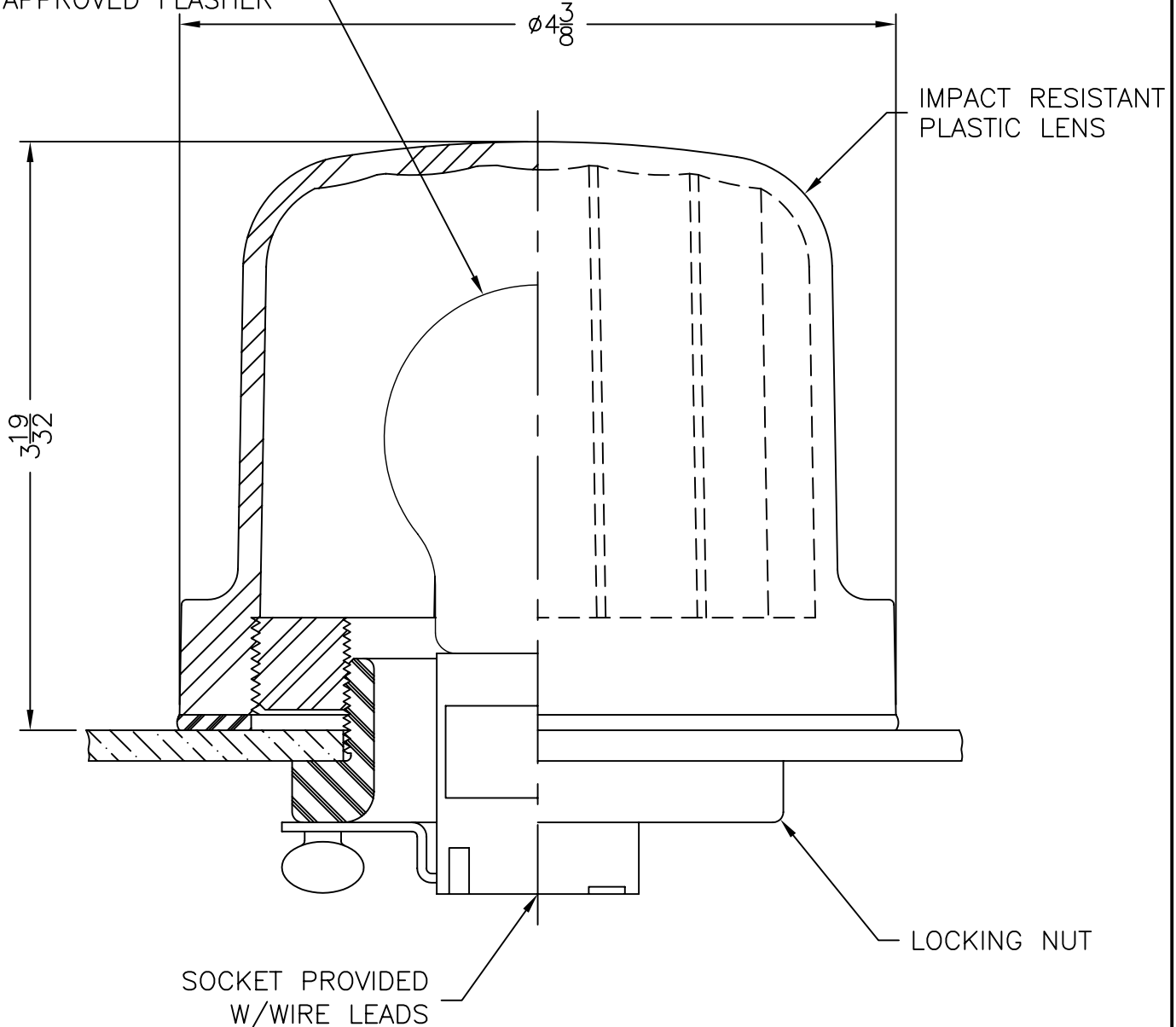




**\*40-XLS SERIES**

PAGE  
1

25 WATT BULB  
40 WATT AVAILABLE  
WITH USE OF  
APPROVED FLASHER

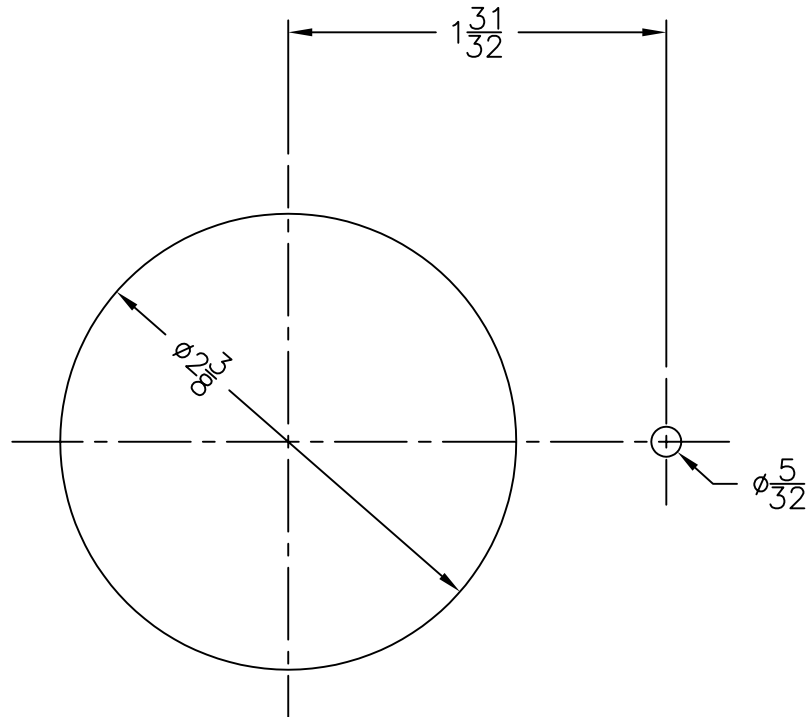


ALL INFORMATION CONTAINED IN THIS DRAWING IS  
CONFIDENTIAL AND PROPRIETARY TO AC/DC EQUIPMENT CO.



| CHANGES | TOLERANCES   | DRAWN BY                | DATE     |
|---------|--------------|-------------------------|----------|
| F       | DECIMALS     | A.M.                    | 01/30/04 |
| E       | .XXX = ±.005 | MATERIAL SPECIFICATION: |          |
| D       | .XX = ±.010  |                         |          |
| C       | FRACTIONAL   | AS NOTED                |          |
| B       | X/X = ±.1/64 |                         |          |
| A       | ANGLES       |                         |          |
|         | X' = ±1/2'   |                         |          |

|                               |                   |
|-------------------------------|-------------------|
| <b>ASS'Y, 40-XLS<br/>LENS</b> |                   |
| SCALE:                        | PART NO.          |
| <b>FULL</b>                   | <b>LENS ASS'Y</b> |



REQUIRED MOUNTING HOLES

ALL INFORMATION CONTAINED IN THIS DRAWING IS  
CONFIDENTIAL AND PROPRIETARY TO AC/DC EQUIPMENT CO.

**AC/DC**  
EQUIPMENT CO.

| CHANGES | TOLERANCES   | DRAWN BY                                | DATE     | ASS'Y, 40-XLS<br>LENS         |  |
|---------|--|---|----------|-------------------------------|--|
| F       | DECIMALS<br>.XXX = $\pm 0.005$<br>.XX = $\pm 0.010$<br>FRACTIONAL<br>X/X = $\pm 1/64$<br>ANGLES<br>X° = $\pm 1/2'$ | A.M.                                    | 01/30/04 | SCALE: PART NO.<br>LENS ASS'Y |  |
| E       |  | MATERIAL SPECIFICATION:<br><br>AS NOTED |          |                               |  |
| D       |  |   |          |                               |  |
| C       |  |   |          |                               |  |
| B       |  | FULL                                    |          |                               |  |
| A       |  |   |          |                               |  |