

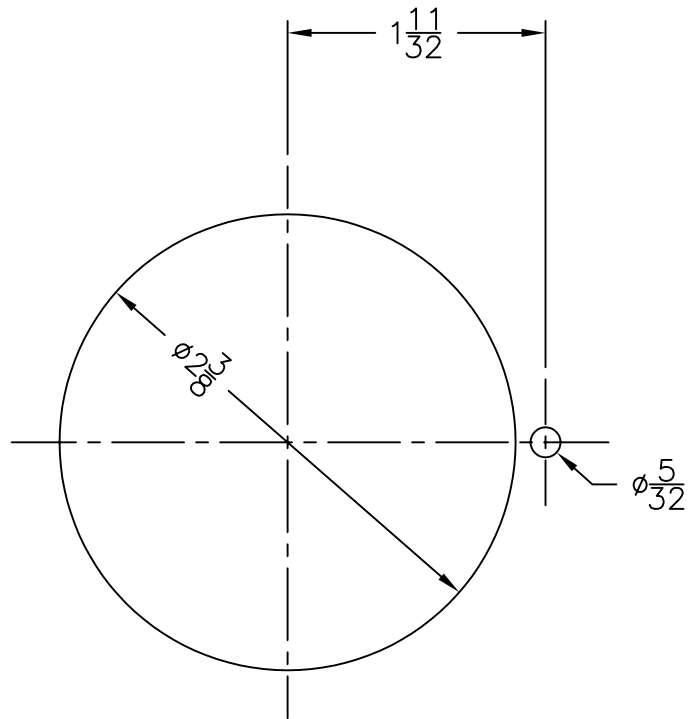
ALL INFORMATION CONTAINED IN THIS DRAWING IS CONFIDENTIAL AND PROPRIETARY TO AC/DC EQUIPMENT CO.

AC/DC
EQUIPMENT CO.

ASS'Y, 25-LG
LENS

CHANGES	TOLERANCES	DRAWN BY	DATE
F	DECIMALS	A.M.	01/30/04
E	.XXX = ±.005	MATERIAL SPECIFICATION: AS NOTED	
D	.XX = ±.010		
C	FRACTIONAL		
B	X/X = ±.1/64		
A	ANGLES		
	X' = ±1/2'		

SCALE:		PART NO.
FULL		LENS ASS'Y



REQUIRED MOUNTING HOLES

ALL INFORMATION CONTAINED IN THIS DRAWING IS
CONFIDENTIAL AND PROPRIETARY TO AC/DC EQUIPMENT CO.

AC/DC
EQUIPMENT CO.

CHANGES	TOLERANCES	DRAWN BY	DATE
F	DECIMALS .XXX = ±.005	A.M.	01/30/04
E	.XX = ±.010	MATERIAL SPECIFICATION: AS NOTED	
D	FRACTIONAL		
C	X/X = ±.1/64		
B	ANGLES		
A	X° = ±1/2°		

ASS'Y, 25-LG LENS	
FULL	LENS ASS'Y