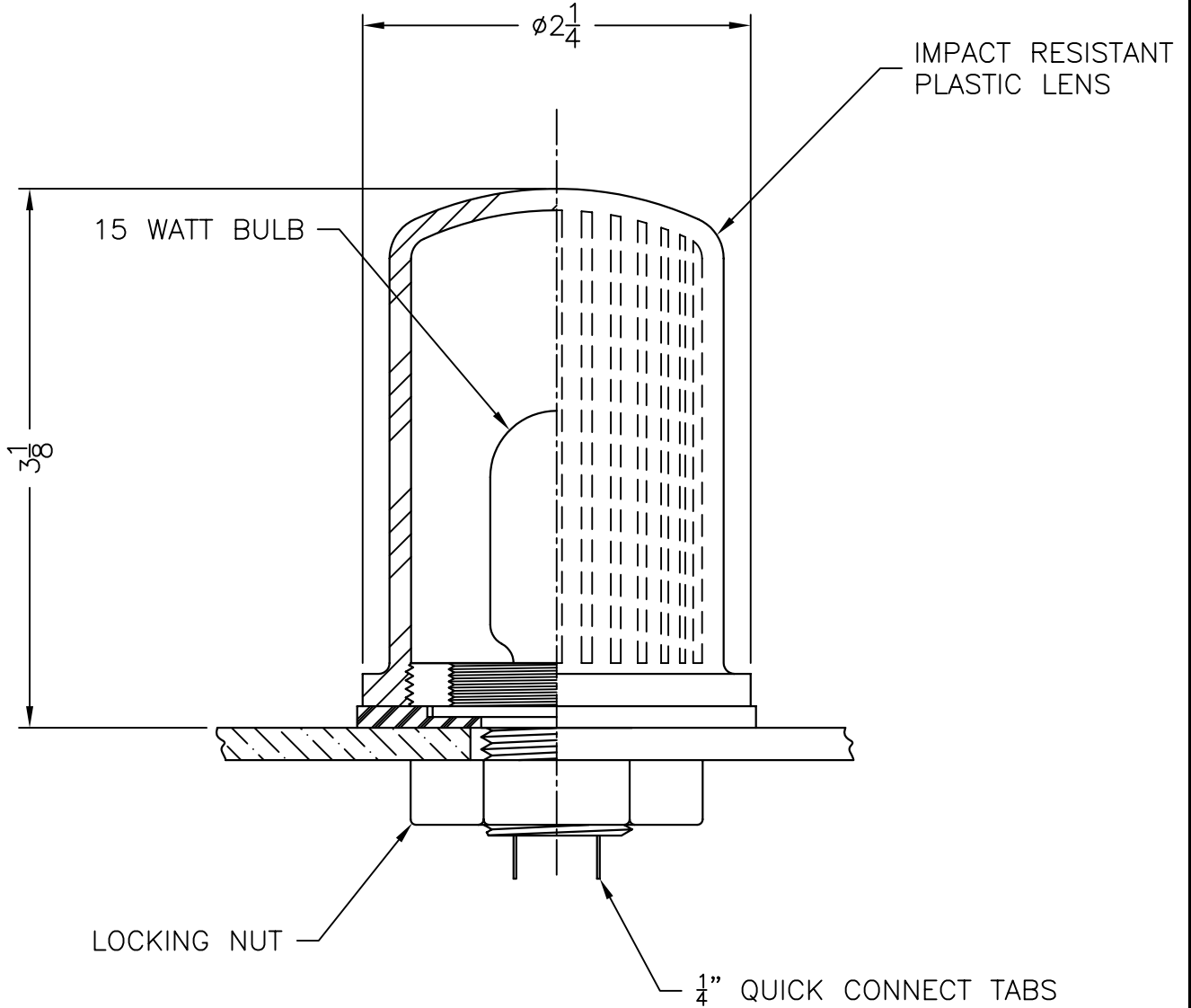




**\*15-MB SERIES**

PAGE  
1

MOUNTING TYPE: SINGLE  $\phi \frac{7}{8}$  HOLE.



ALL INFORMATION CONTAINED IN THIS DRAWING IS CONFIDENTIAL AND PROPRIETARY TO AC/DC EQUIPMENT CO.

**AC/DC**  
**EQUIPMENT CO.**

**ASS'Y, 15-MB**  
**LENS**

SCALE: PART NO.

**FULL**

**LENS ASS'Y**

| CHANGES | TOLERANCES         | DRAWN BY                                | DATE     |
|---------|--------------------|---|----------|
| F       | DECIMALS           | A.M.                                    | 01/30/04 |
| E       | .XXX = $\pm 0.005$ | MATERIAL SPECIFICATION:<br><br>AS NOTED |          |
| D       | .XX = $\pm 0.010$  |   |          |
| C       | FRACTIONAL         |   |          |
| B       | X/X = $\pm 1/64$   |   |          |
| A       | ANGLES             |   |          |
|         | X' = $\pm 1/2'$    |   |          |