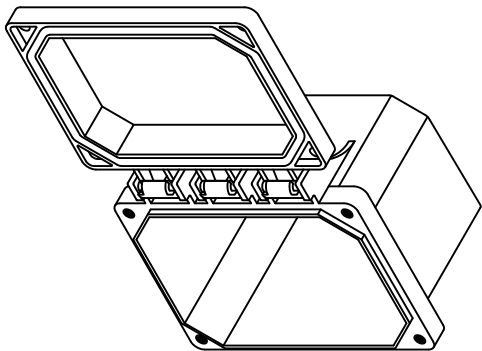
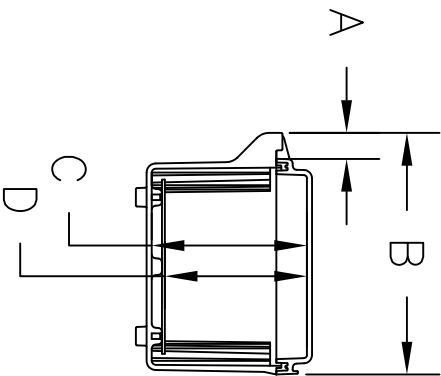
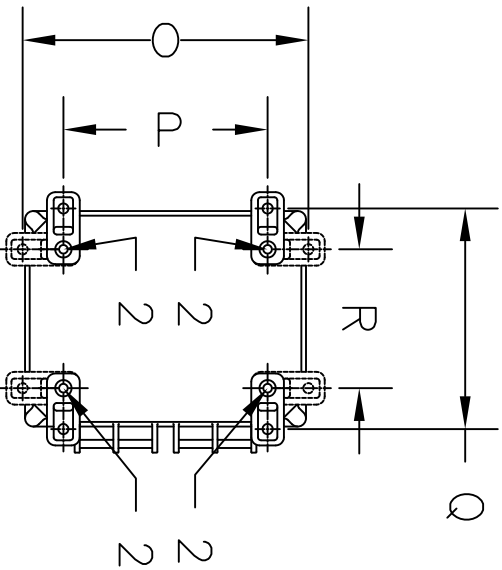
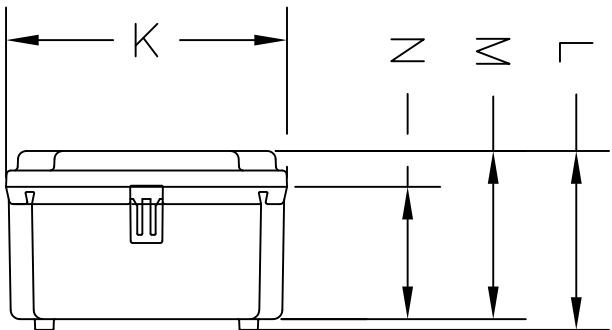
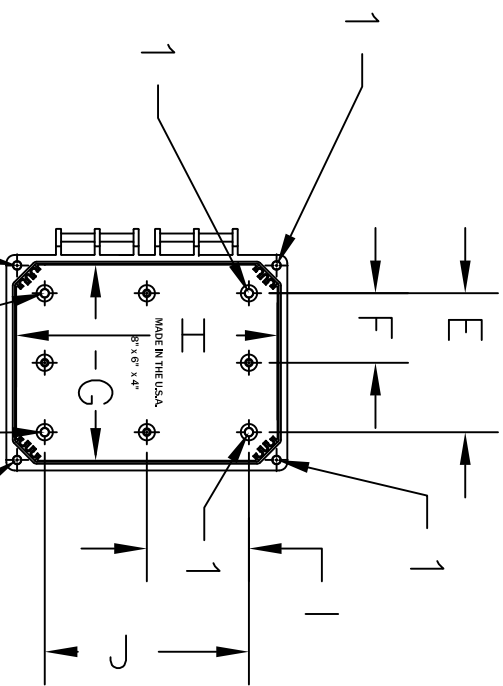


NOTES:
 HOLES MARKED WITH "1" DENOTE #10-32UNF THREADED BRASS INSERT INSTALLED
 HOLES MARKED WITH "2" DENOTE 1/4-20UNF THREADED BRASS INSERT INSTALLED



DIM.	INCHES	DIM.	INCHES
A	13/16	J	6-1/4
B	7-3/8	K	8-5/8
C	4-3/4	L	5-1/2
D	4-3/8	M	5-1/8
E	4-1/4	N	4-1/16
F	2-1/8	O	8-3/4
G	6	P	6-1/4
H	8	Q	6-3/4
I	3-1/8	R	4-1/4



MADE IN THE U.S.A.
 8" x 6" x 4"

CHANGES	TOLERANCES	DRAWN BY	DATE
F	DECIMALS	C. BARRICK	1/24/2012
E	XX = ±.010		
D	FRACTIONAL		
C	1/2X = ±1/64		
B	ANGLES		
A	X = ±1/2°		

ENCLOSURE DIMENSIONS	SCALE: PART NO.
	PC-080604-HXXX
	N/A

