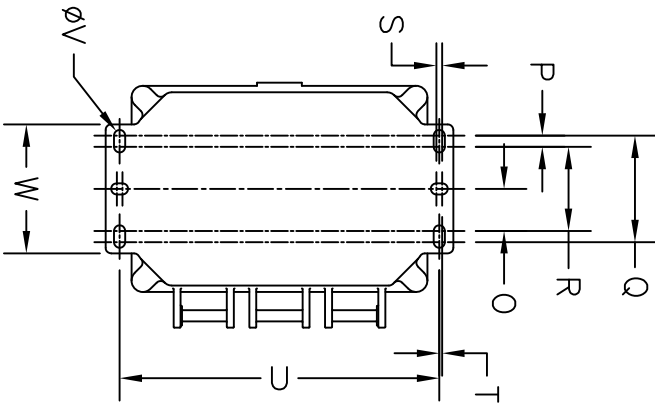
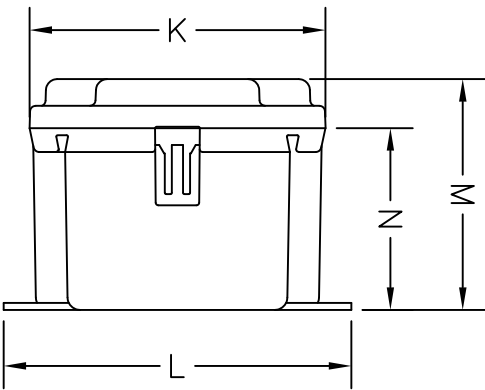
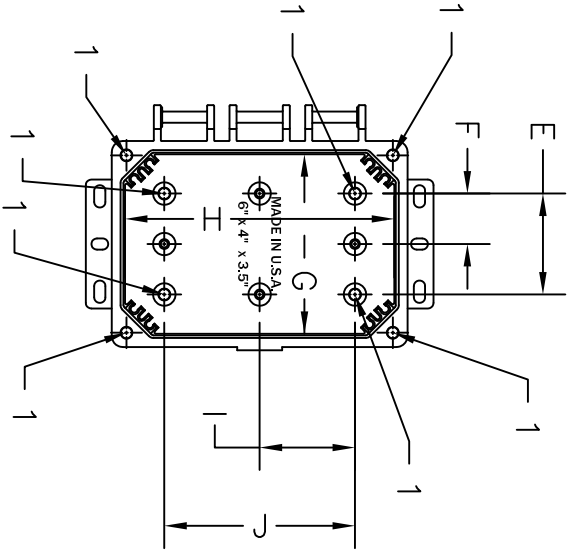
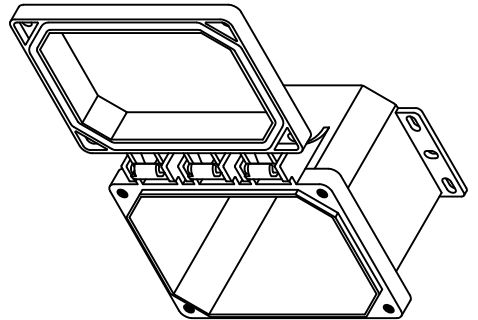
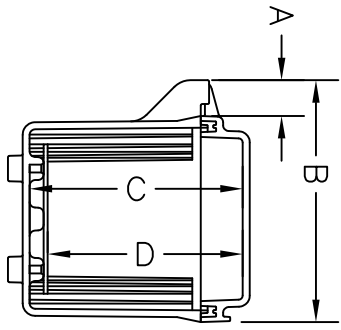


NOTES:
 HOLES MARKED WITH "1" DENOTE #10-32UNF
 THREADED BRASS INSERT INSTALLED. HOLES
 MARKED WITH "2" DENOTE 1/4-20UNF
 THREADED BRASS INSERT INSTALLED.



DIM.	INCHES
A	13/16
B	5-3/8
C	4-3/4
D	4-3/8
E	2-1/4
F	1-1/8
G	4
H	6
I	2-1/8

DIM.	INCHES
J	4-1/4
K	6-5/8
L	7-3/4
M	5-1/8
N	4-1/16
O	15/16
P	1/4
Q	2-3/8
R	1-7/8
S	1/8
T	1/16
U	7-1/8
V	1/4
W	2-7/8

CHANGES	TOLERANCES	DRAWN BY	DATE
F	DECIMALS	C. BARRICK	1/24/2012
E	.xxx = ±.003	MATERIAL SPECIFICATION:	
D	.xx = ±.010	POLYCARBONATE	
C	FRACTIONAL		
B	x/x = ±.1/64		
A	ANGLES		
	x = ±1/2°		

ACTVDC
EQUIPMENT CO.

ENCLOSURE
DIMENSIONS

SCALE: PART NO. PC-060435-HXX
N/A