

The Sounder 120 VAC Alarm



Part No. AH115A8R (red) & AH115A8G (gray)



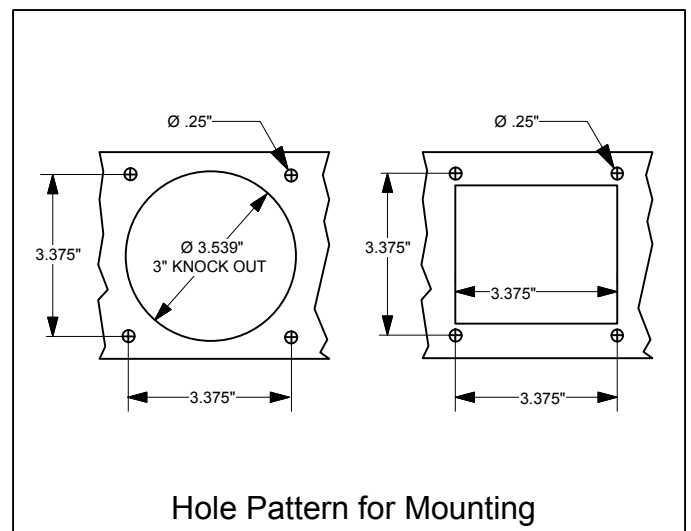
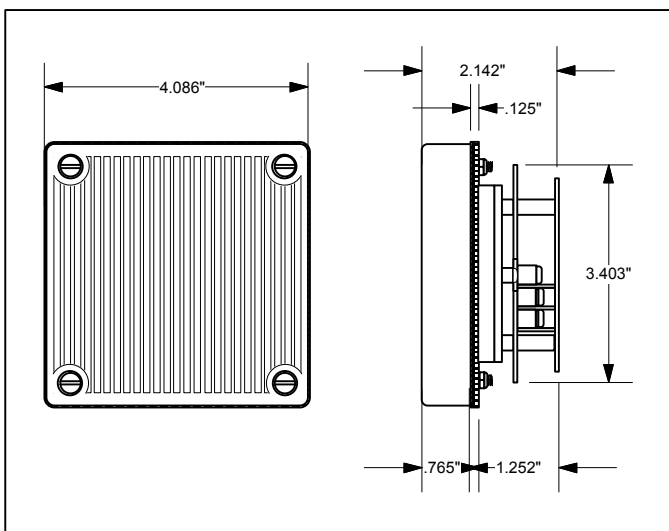
The Ingram 120 VAC Sounders are NEMA and UL Type 4X alarm horn suitable for heavy duty applications inside and outdoors. This horn features 8 user selectable alert sounds. Add quality to your control panel with the Ingram Sounder.

Features

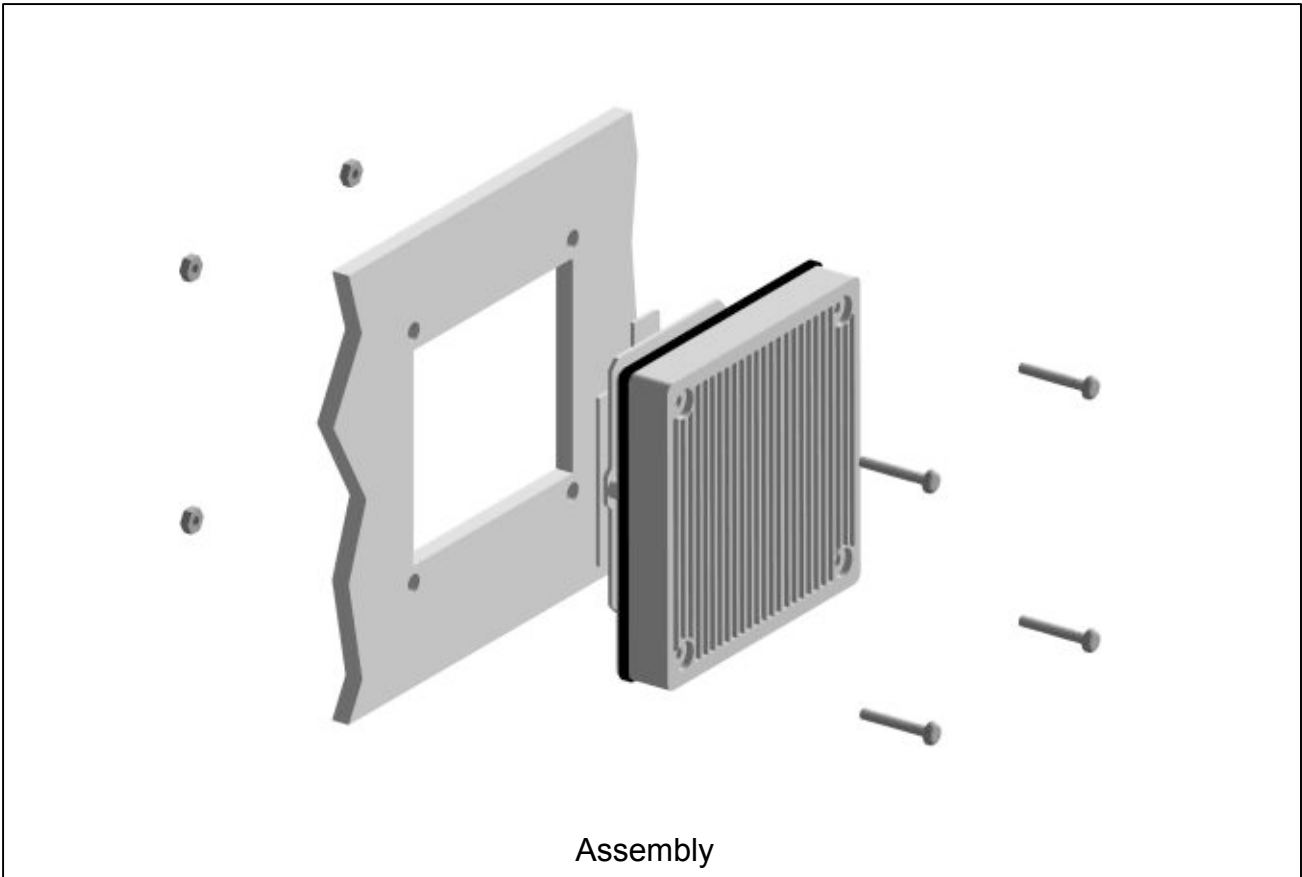
- UL listed (E175530) for use in NEMA and UL Type 3, 3R, 4, 4X, 12 and 13
- Loud: 110+ decibels at 5 feet
- 8 user selectable alert sounds
- 2 user selectable sound output levels
- Low profile protrudes less than 1" from mounting surface
- Does not generate electrical noise due to piezo electronic sound element
- Self locking stainless steel hex nuts makes it tamper resistant
- Highly reliable solid state circuitry

Technical Specifications




- Voltage: AH115A8R, AH115A8G - 115 VAC
- Average current draw: 50 mA @ 120 VAC
- Ambient operating temperature: -40°F to 151°F
- Storage temperature: -55°F to +185°F
- Maximum humidity of 93% RH+2%
- Each screw clamp terminal will accept two #18AWG - #12AWG wires.
- 3 year warranty
- Available in red or gray




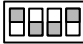
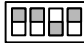

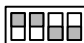
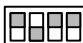
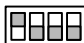
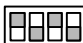
⚠ WARNING: Do not operate this device within 15 inches of a person's ear. Exposure to such high sound level can result in permanent damage to a persons hearing.



To Set Desired DBA Sound Output Level:

-  SWITCH SETTING
-  High Level Output (factory settings)
-  Standard Level Output

To Set Desired Alarm tone:

- | | |
|---|---|
|  Horn |  March Time Horn |
|  Bell |  Code 3 Horn |
|  Siren |  Code 3 Tone |
|  Hi/Lo |  Slow Whoop |

Note: The code-3 Horn and Tone alert sounds are reserved for emergency evacuation signaling. They should not be used for any other purpose!