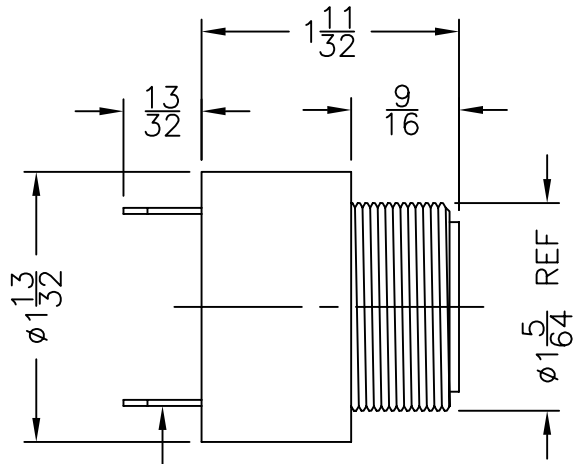


# PIEZO BUZZER

PAGE  
1

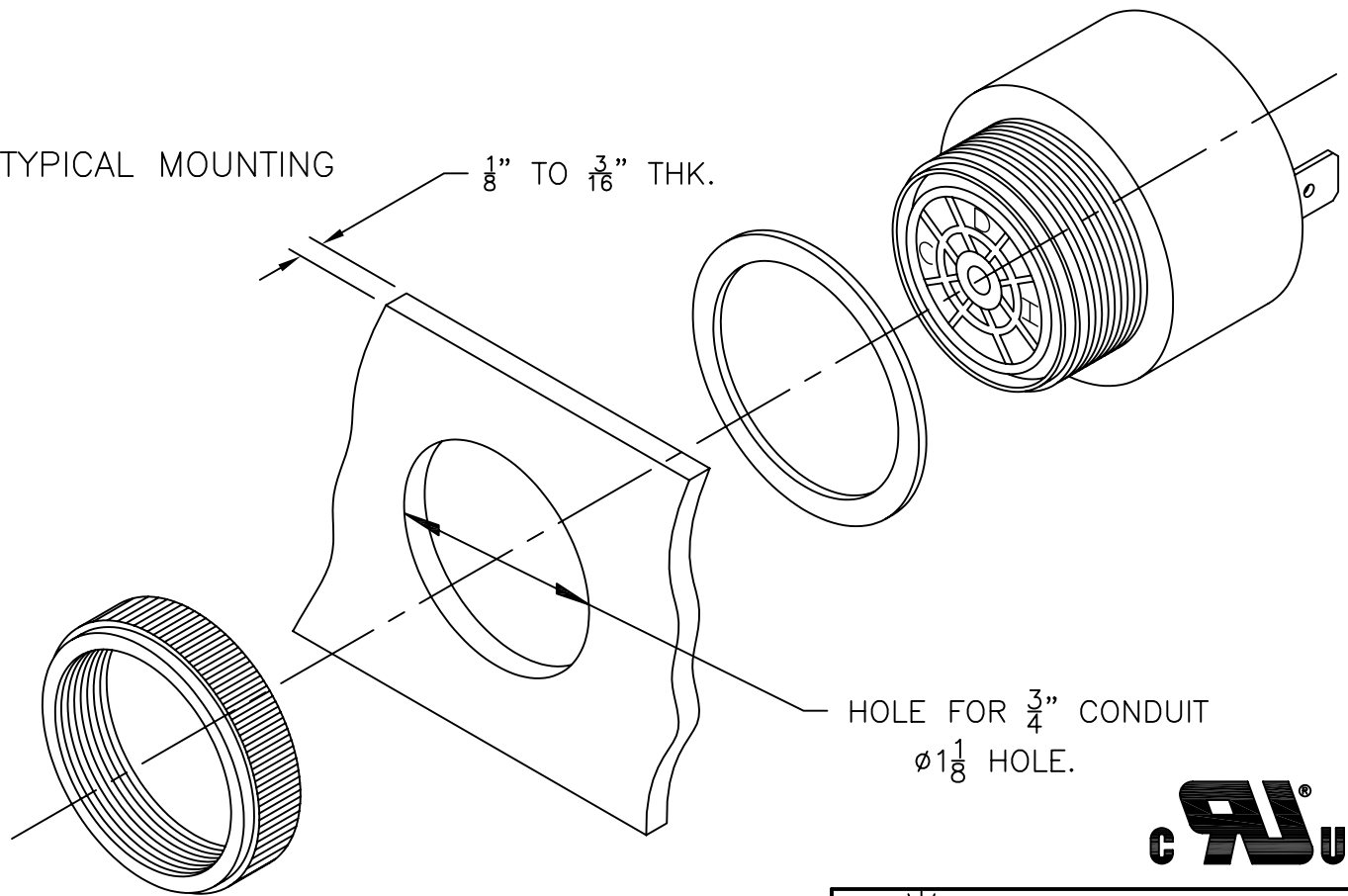


## SPECIFICATIONS:

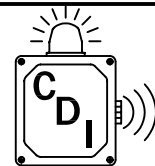
OUTPUT LEVEL: 95dB @ 2 FEET  
85dB @ 10 FEET  
VOLTAGE RANGE: 40-120 VAC  
OPERATING CURRENT: 15mA @ 120VAC  
TONE TYPE: WARBLE  
MEETS NEMA REQUIREMENTS FOR  
TYPE 3, 3R, 4X, 12, AND 13.  
UL RECOGNIZED #S8521

$\frac{1}{4}$ " QUICK CONNECT TABS

## TYPICAL MOUNTING



ALL INFORMATION CONTAINED IN THIS DRAWING IS  
CONFIDENTIAL AND PROPRIETARY TO CONERY MFG, INC.



**Component  
Design, Inc.**

CHANGES	TOLERANCES	DRAWN BY	DATE
F	DECIMALS	D. MIDDLETON	03/10/04
E	.XXX = $\pm 0.005$	MATERIAL SPECIFICATION:  AS NOTED	
D	.XX = $\pm 0.010$		
C	FRACTIONAL		
B	X/X = $\pm 1/64$		
A	ANGLES		
	X' = $\pm 1/2'$		

SPECIFICATION SHEET  
DIMENSIONAL DATA

SCALE: PART NO.

FULL

PIEZO BUZZER