

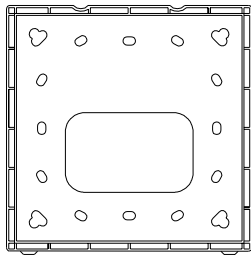
Distributed By:



8725 Youngerman Court,
Suite 206
Jacksonville, FL 32244
Tel: 904-778-1010
Fax: 904-778-2444

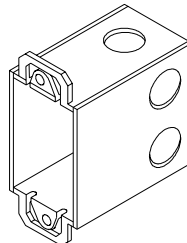
**MOUNTING ACCESSORIES AND
MOUNTING HEIGHTS**

(A) UNIVERSAL MOUNTING PLATE



"AS" Mounting

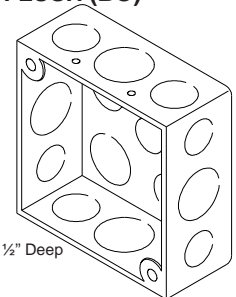
(B) SINGLE-GANG, FLUSH (BO)



See Notes 1 & 8

MAXIMUM NUMBER OF CONDUCTORS			
AWG #18	AWG #16	AWG #14	AWG #12
4	4	4	4

(D) 4" SQUARE, FLUSH (BO)

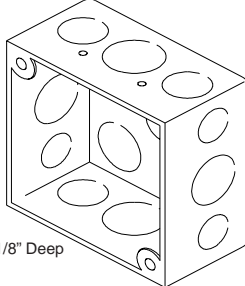


1-1/2" Deep

See Note 2

MAXIMUM NUMBER OF CONDUCTORS			
AWG #18	AWG #16	AWG #14	AWG #12
4	4	4	4

(E) 4" SQUARE, DEEP, FLUSH (BO)

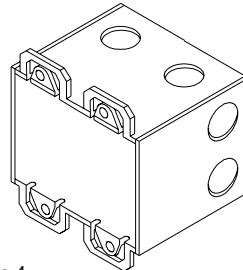


2-1/8" Deep

See Note 3

MAXIMUM NUMBER OF CONDUCTORS			
AWG #18	AWG #16	AWG #14	AWG #12
8	8	8	8

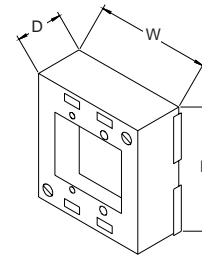
(F) DOUBLE-GANG, FLUSH (BO)



See Notes 4

MAXIMUM NUMBER OF CONDUCTORS			
AWG #18	AWG #16	AWG #14	AWG #12
4	4	4	4

(G) DOUBLE-GANG, SURFACE (BO)

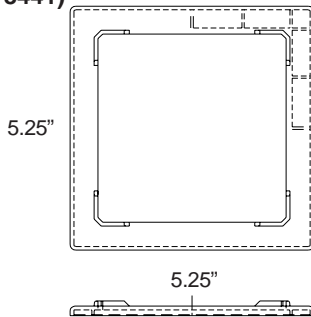


L.	W.
4-3/4"	4-3/4"
D.	GANG #
1-3/4"	2

See Note 5

MAXIMUM NUMBER OF CONDUCTORS			
AWG #18	AWG #16	AWG #14	AWG #12
4	4	4	4

(H) NATP (Order Codes: Red 8440, White 8441)



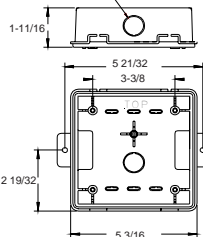
5.25"

5.25"

Thickness: 13/64"

(I) WPBB (Order Code: 9014)

For surface mounting AS outdoor products.



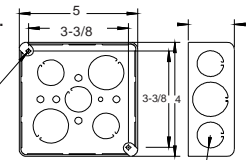
MAXIMUM NUMBER OF CONDUCTORS

AWG #18	AWG #16	AWG #14	AWG #12
8	8	8	8

(J) BB BACKBOX (Order Codes: Red 2830, Gray 2349)

Standard steel backbox with knockouts for interior surface mounting, concealed conduit mounting or semi-flush applications. It is painted to match the signal.

#8-32 TAP (2) HOLES



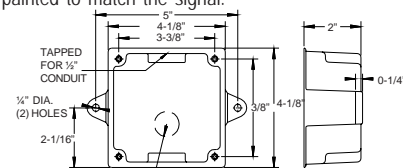
PROVIDED WITH KNOCKOUTS FOR 1/2" & 3/4" CONDUIT

See Note 9

MAXIMUM NUMBER OF CONDUCTORS

AWG #18	AWG #16	AWG #14	AWG #12
4	4	4	4

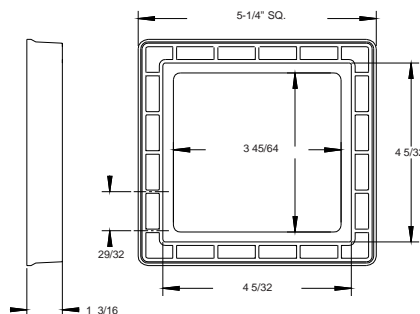
(K) WBB WEATHER RESISTANT BACKBOX (Order Codes: Red 2959, White 2411) Sturdy die cast housing, threaded conduit hole and knockout for outdoor applications. It is painted to match the signal.



MAXIMUM NUMBER OF CONDUCTORS

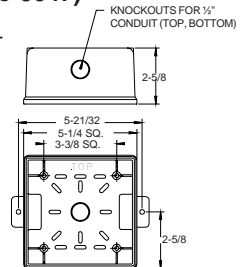
AWG #18	AWG #16	AWG #14	AWG #12
4	4	4	4

(L) ISP2 SURFACE ADAPTER
Order Code: 3194 (Red) or 3195 (White)



(M) IOB BACKBOX (Order Codes: Red 5046, White 5047)

For surface mounting MT products.



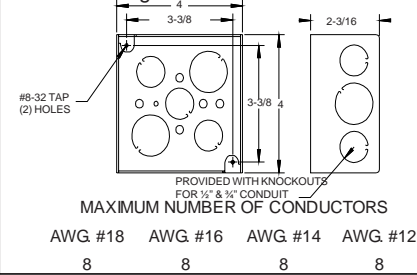
See Note 10

MAXIMUM NUMBER OF CONDUCTORS

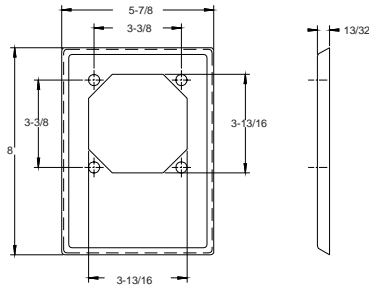
AWG #18	AWG #16	AWG #14	AWG #12
8	8	8	8

(N) DBB BACKBOX (Order Code: 2955)

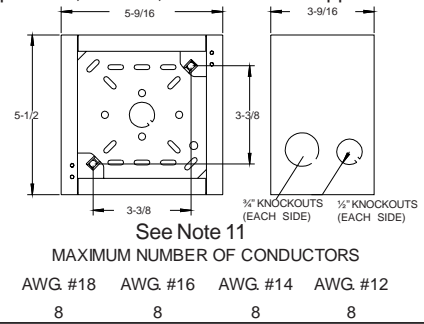
Standard steel backbox provided with knockouts for interior surface mounting, concealed conduit mounting or semi-flush applications. It is painted to match the signal.



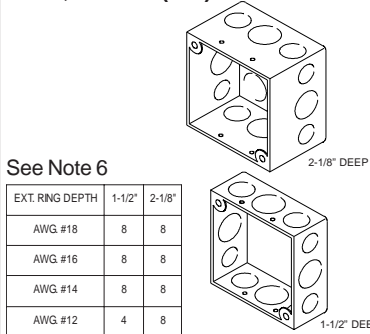
(O) RP-R RETROFIT PLATE (Order Code: 5042)



(P) SBB BACKBOX (Order Codes: Red 3204, White 3193) For surface mounting speakers, chimes, and electronic applications.

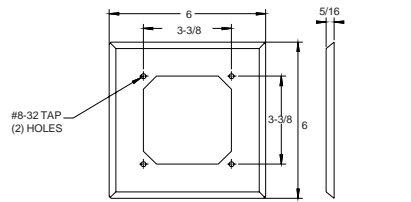


(Q) 4" SQUARE DEEP W/ EXTENSION RING, FLUSH (BO)



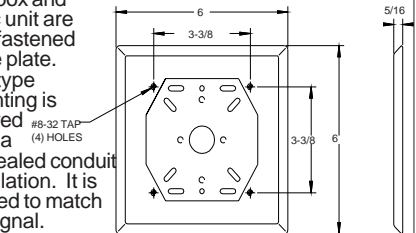
(R) SFP SEMI-FLUSH PLATE (Order Codes: Red 2957, White 2958)

Stamped aluminum surface wall plate which mounts behind the basic unit and serves to cover recessed backboxes in semi-flush mounting applications. It is painted to match the signal.

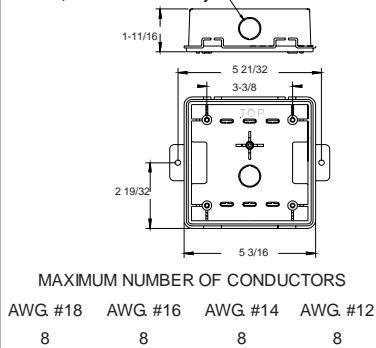


(S) AP ADAPTER PLATE (Order Code: 2961)

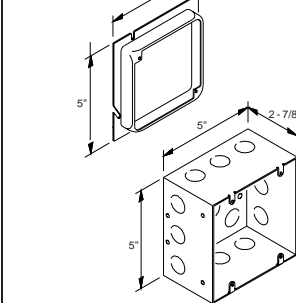
Stamped aluminum adapter plate designed for applications where semi-flush installations cannot be used. The plate can be mounted to standard octagon or round backboxes single or double gang boxes or plaster rings. The backbox and basic unit are then fastened to the plate. This type mounting is referred to as a concealed conduit installation. It is painted to match the signal.



(T) WPSBB-R (Order Codes: Red 9751, White 3033)

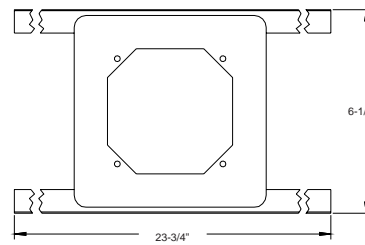


(U) 5" SQUARE BACKBOX W/ EXTENSION RING, FLUSH (BO)

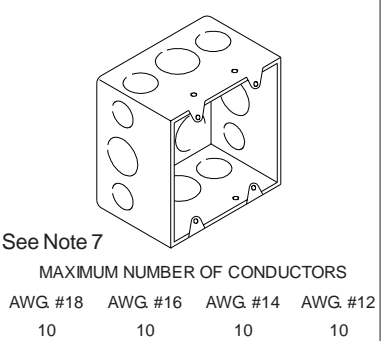


(V) SSB-4 CEILING SUPPORT BRIDGE (Order Code: 3380)

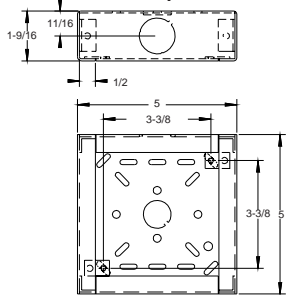
Provisions for (4) J-nuts #8-32 ib 3-3/8" square. Material: Steel



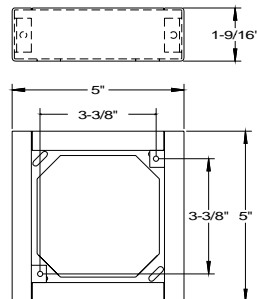
(W) 4 1/16" SQUARE, DEEP SURFACE (B0)



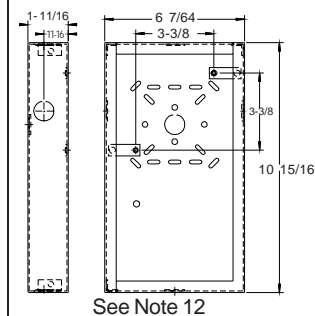
(X) SHBB SQUARE, SURFACE BACKBOX (Order Codes: Red 7254, White 7255)



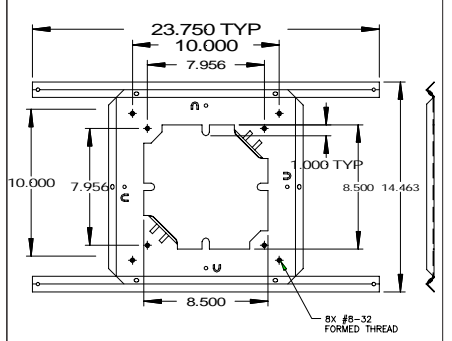
(Y) SER-R SQUARE SEMI-FLUSH EXTENSION RING (Order Codes: Red 3045, White 3049)



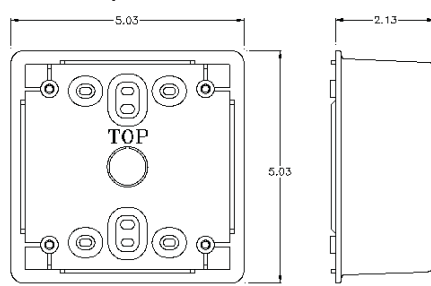
(Z) SBL-2 BACKBOX (Order Codes: Red 6988, White 6989)



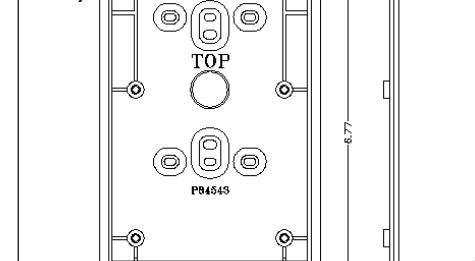
(CC) SSB-8 8" CEILING SUPPORT BRIDGE (Order Code: 3573)



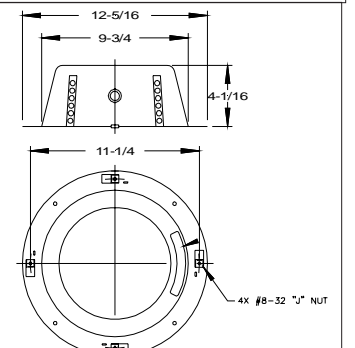
(AA) E50SB-R (Order Codes: Red 0230, White 0231)



(BB) E50SSB-R (Order Codes: Red 0232, White 0233)



(DD) CBB-8 8" CEILING SPEAKER BACKBOX (Order Code: 3314)



GENERAL NOTES

- FIGURE B IS TYPICAL OF A STEEL CITY LXM-WOW BOX OR EQUAL. FIGURE B SHOULD BE A 3.5" DEEP BACKBOX FOR CONDUIT INSTALLATIONS AND IS TYPICAL OF A STEEL CITY CY-½ BOX OR EQUAL.
- FIGURE D IS TYPICAL OF A STEEL CITY 52151 BOX OR EQUAL.
- FIGURE E IS TYPICAL OF A STEEL CITY 52171 BOX OR EQUAL.
- FIGURE F IS TYPICAL OF TWO STEEL CITY LXM-WOW BOXES OR EQUAL.
- FIGURE G IS TYPICAL OF A WIREMOLD 5748-2 BOX OR EQUAL.
- FIGURE Q IS TYPICAL OF A STEEL CITY 52171 BOX WITH A STEEL CITY 53151 EXTENSION RING OR EQUAL.
- FIGURE W IS TYPICAL OF A STEEL CITY 72171-1 BOX OR EQUAL.
- USE 3.5 DEEP BACKBOX ON ALL MIZ PRODUCTS WHEN EMT CONDUIT IS USED.
- WHEN USED WITH AC HORN (J), "BB" MUST BE USED FOR SURFACE MOUNT.
- HS4, HS, MT OR MTWP STROBE ARE FOR OUTDOOR MOUNTING.
- USE WITH SERIES RSSP.
- FIGURE U IS TYPICAL OF A RANDL INDUSTRIES BACKBOX. ("Total Number of conductors shall be in accordance with NEC table 314.16 (B)").

MOUNTING MATRIX		SERIES E90/ET90	SERIES RSS/RSSP	SERIES 3IT HORN	SERIES E50	SERIES 43T BELLS	SERIES CH	SERIES ET 1010 & 1080	SERIES MB MOTOR BELLS	SERIES E70/ET70	SERIES MIZ/MIZ-TC	SERIES MT	SERIES NH/NS	SERIES HS4/HS	SERIES SM & DSM	SERIES AMT	SERIES AS/AH	SERIES RSSWP1, ASWP2, AHWP3, MTWP4, MT-12/244 AND ET70WP4 WEATHERPROOF	SERIES RSSR (RED LENS)	SERIES S
(A) UNIVERSAL MOUNTING PLATE																	X			
(B) 1-GANG X 2" DEEP - FLUSH (BO) NOTE 1 & 8			X								X		X				X			X
(D) 4" X 4" X 1.5" DEEP - FLUSH (BO) NOTE 2			X	X		X			X				X	X			X			X
(E) 4" X 4" X 2.125" DEEP FLUSH (BO) NOTE 3			X	X		X		X	X			X	X	X		X	X			X
(F) 2-GANG X 3.5" DEEP - FLUSH (BO) NOTE 4 & 8			X									X	X	X		X	X			X
(G) 2-GANG X 1.75" DEEP - SURFACE (BO) NOTE 5			X										X				X			X
(H) NATP TRIM PLATE			X										X				X			X
(I) WPBB-R WEATHERPROOF BACKBOX FOR ASWP																		2		
(J) BB SURFACE (WSI) NOTE 9			X	X		X			X				X				X			X
(K) WBB WEATHER-PROOF (WSI)				X		X		X	X								X			
(L) ISP2 SURFACE ADAPTER							X			X		X		X		X		3		
(M) IOB SURFACE & WEATHER -PROOF (WSI) NOTE 10												X		X		X		4		
(N) DBB SURFACE (WSI)			X	X		X		X	X			X	X	X		X	X			X
(O) RP-R RETROFIT PLATE (WSI)			X	X		X	X	X	X	X		X	X	X		X	X			X
(P) SBB SURFACE (WSI)		X	X			X	X	X	X	X		X	X	X		X				X
(Q) 4" X 4" X 2.125" BOX W/ 1.5" EXTENSION RING -FLUSH (BO) NOTE 6		X					X	X		X										
(R) SFP SEMI-FLUSH PLATE (WSI)			X	X		X	X	X	X	X		X	X	X		X	X			X
(S) AP ADAPTER PLATE (WSI)						X			X											
(T) WPSBB-R WEATHERPROOF BACK BOX FOR RSSWP																		1		
(U) 5" SQUARE BACKBOX W/ EXTENSION RING, FLUSH (BO) NOTE 12		X					X	X		X										
(V) SSB-4 CEILING (WSI) SUPPORT BRIDGE		X					X	X		X							X			
(W) 4.6875" X 4.6875" X 2.125" DEEP-SURFACE (BO)															X					
(X) SHBB (WSI) SHALLOW SURFACE			X			X			X				X				X			X
(Y) SER SEMI-FLUSH EXTENSION RING (RETROFIT APPLICATIONS)		X				X	X			X										
(Z) SBL-2 SURFACE (WSI) NOTE 11			X	X		X	X	X	X											
(AA) E50SB BACK BOX FOR E50 SPEAKER						X														
(BB) E50SSB BACK BOX FOR E50 SPEAKER STROBE						X														
(CC) SSB-8 8" SPEAKER SUPPORT TILE BRIDGE																				X
(DD) CBB-8 8" CEILING SPEAKER BACKBOX																				X
DATA SHEET NUMBER(S)		S0310 S1610	S0410	S0500	S0510	S0600	S0710	S0800	S1500	S0310 S1610	S1700	S2000	S2100	S2400	S3000	S4000	S8100	S9004	S9008	S1100

MOUNTING NOTES

- ⚠ Caution:** The mounting options figures show the maximum number of field wires (conductors) that can enter the backbox used with each mounting option. If these limits are exceeded, there may be insufficient space in the backbox to accommodate the field wires and stresses from the wires could damage the product. Although the limits shown for each mounting option comply with the National Electrical code (NEC), Wheelock recommends use of the largest backbox option and the use of approved stranded field wires whenever possible, to provide additional wiring room for easy installation and minimum stress on the product from wiring.
 - ⚠ Caution:** Check that the installed product will have sufficient clearance and wiring room prior to installing backboxes and conduit, especially if sheathed multiconductor cable or 3/4" conduit fittings are used.
- Mounting hardware for each mounting option is supplied.
 - Conduit entrances to the backbox should be selected to provide sufficient wiring clearance for the installed product. When extension rings are required, conduit should enter through the backbox, not the extension ring. Use Steel City #53151 (1-1/2" deep) or #53171 (2-1/8" deep) extension rings (as noted in the mounting options) or equal with the same cut-out area.
 - When terminating field wires, do not use more lead length than required. Excess lead length could result in insufficient wiring space for the appliance.
 - Use care and proper techniques to position the field wires in the backbox so that they use minimum space and produce minimum stress on the product. This is especially important for stiff, heavy gauge wires and wires with thick insulation or sheathing.
 - Do not pass additional wires (used for other than the appliance) through the backbox "unless the backbox is of a sufficient size to permit additional wiring as described in NEC 314.16 (B)". Such additional wires could result in insufficient wiring space for the appliance.

NOTE: Due to continuous development of our products, specifications and offerings are subject to change without notice in accordance with Wheelock Inc. standard terms and conditions.

BACKBOX MOUNTING HEIGHTS for WHEELLOCK WALL MOUNTED HORIZONTAL STROBE APPLIANCES

NFPA-72 Section 4-4.4 "Wall Mounted Appliances shall be mounted such that the entire lens is not less than 80" (2.03m) and not greater than 96" (2.30m)."

"Exception: Appliances installed in sleeping areas shall comply with 4-4.4.3." Not included in this document.

ADA 4.28.3 (6) states that "strobes shall be 80" from the finished floor or 6" from the ceiling".

BACKBOX MOUNTING OPTIONS*	SERIES AS/AH AUDIBLE STROBE		SERIES RSSP FLUSH & SURFACE RETROFIT PLATE		SERIES NS/NS4 HORN STROBE		SERIES RSS STROBE		SERIES MT & AMT MULTITONE STROBE	
	80 IN.	6 IN.	80 IN.	6 IN.	80 IN.	6 IN.	80 IN.	6 IN.	80 IN.	6 IN.
(B) 1-GANG X 2" DEEP - FLUSH (BO)	77 1/2"	8 1/2"			78 3/8"	7 5/8"	79 1/8"	6 7/8"		
(D) 4" X 4" X 1.5" DEEP - FLUSH (BO)	77"	9"	83 15/16"		77 7/8"	8 1/8"	78 5/8"	7 3/8"	79 15/16"	6 1/16"
(E) 4" X 4" X 2.125" DEEP - FLUSH (BO)	77"	9"	83 15/16"		77 7/8"	8 1/8"	78 5/8"	7 3/8"	79 15/16"	6 1/16"
(F) 2-GANG X 3.5" DEEP - FLUSH (BO)	77 1/2"	8 1/2"			78 3/8"	7 5/8"	79 1/8"	6 7/8"	80 9/16"	5 7/16"
(G) 2-GANG X 1.75" DEEP - SURFACE (BO)	77 1/2"	8 1/2"			78 3/8"	7 5/8"	79 1/8"	6 7/8"	80 9/16"	5 7/16"
(M) IOB SURFACE & WEATHER-PROOF (WSI)									79 3/8"	6 5/8"
(P) SBB SURFACE (WSI)									79 1/4"	6 3/4"
(Q) 4" X 4" X 2.125" BOX W/ 1.5" EXTENSION RING -FLUSH (BO)										
(U) 5" SQUARE BACKBOX W/ EXTENSION RING, FLUSH (BO)	69 1/2"	8 1/2"	83 7/16"		77 3/8"	7 5/8"	78 1/8"	6 7/8"	79 7/16"	5 9/16"
(X) SHBB (WSI) SHALLOW SURFACE	76 1/2"	9 1/2"			77 3/8"	8 5/8"	78 1/8"	7 7/8"		
(Y) 4" X 4" X 1.5" BOX W/ 1.5" EXTENSION RING PLATE (BO)										
(Z) SBL-2 SURFACE (WSI)			78"							

BACKBOX MOUNTING OPTIONS*	SERIES CH70 CHIME STROBE		SERIES ET-1080 VANDAL RESISTANT		SERIES E70 SPEAKER STROBE		SERIES ET70 SPEAKER STROBE		SERIES SA-70S SELF AMPLIFIED SPEAKER STROBE	
	80 IN.	6 IN.	80 IN.	6 IN.	80 IN.	6 IN.	80 IN.	6 IN.	80 IN.	6 IN.
(P) SBB SURFACE (WSI)	77 3/4"	8 1/4"	79 3/16"	6 13/16"	77 3/4"	8 1/4"	77 3/4"	8 1/4"	79 3/16"	6 13/16"
(Q) 4" X 4" X 2.125" BOX W/ 1.5" EXTENSION RING -FLUSH (BO)	78 1/2"	7 1/2"	80"	6"	78 1/2"	7 1/2"	78 1/2"	7 1/2"	80"	6"
(U) 5" SQUARE BACKBOX W/ EXTENSION RING- FLUSH (BO)	78"	7"	79 1/2"	5 1/2"	78"	7"	78"	7"	79 1/2"	5 1/2"
(X) SHBB (WSI) SHALLOW SURFACE										
(Y) 4" X 4" X 1.5" BOX W/ 1.5" EXTENSION RING PLATE (BO)	78 1/2"	7 1/2"	80"	6"						

* Measured from Bottom of Backbox

NOTES:

(BO) = By Others

(WSI) = Wheelock Product