

Thermostat



Part No. CTS, HTS



The Ingram CTS and HTS thermostats are designed to regulate and monitor air temperature. Use the HTS (heating thermostat) for panels designed with heaters. It closes as temperature drops. Use the CTS (cooling thermostat) for panels designed with fans, ventilators or air conditioner. It closes as temperature rises.

Using the Ingram CTS and HTS is an easy and low cost way to maintaining operating temperatures in enclosures.

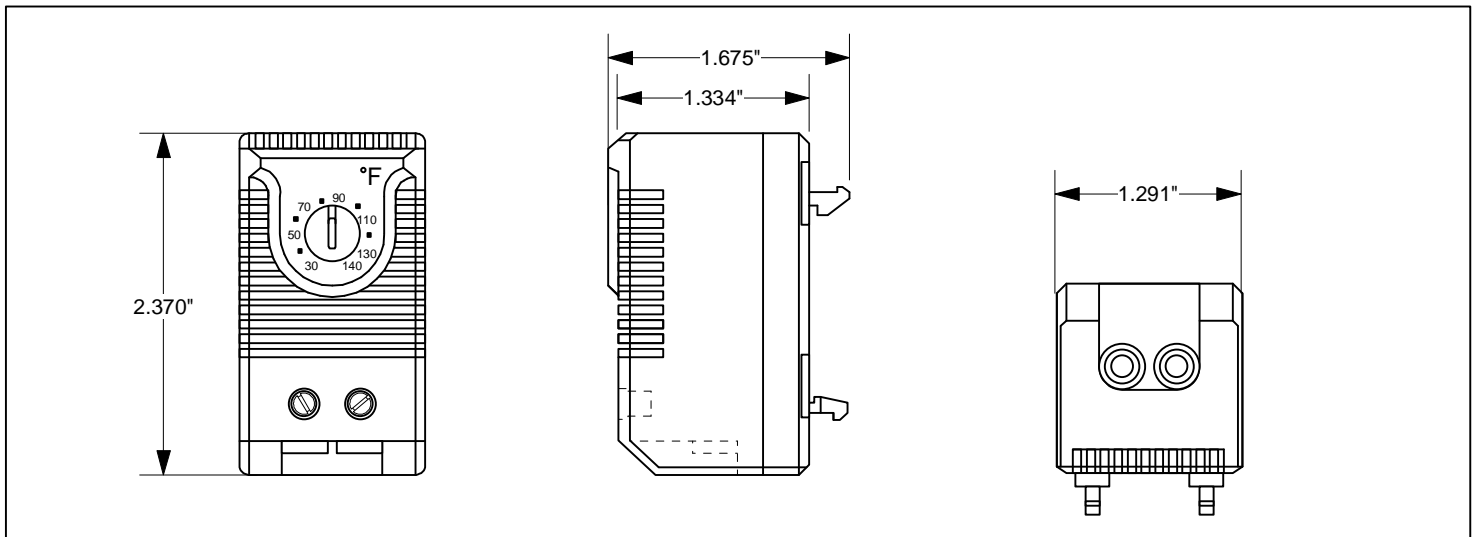
Features

- Small Size
- Easy 35mm din rail mounting
- Wide setting range
- Model CTS (cooling thermostat)
- Model HTS (heating thermostat)
- Heating thermostat closes as temperature decreases
- Cooling thermostat closes as temperature increase

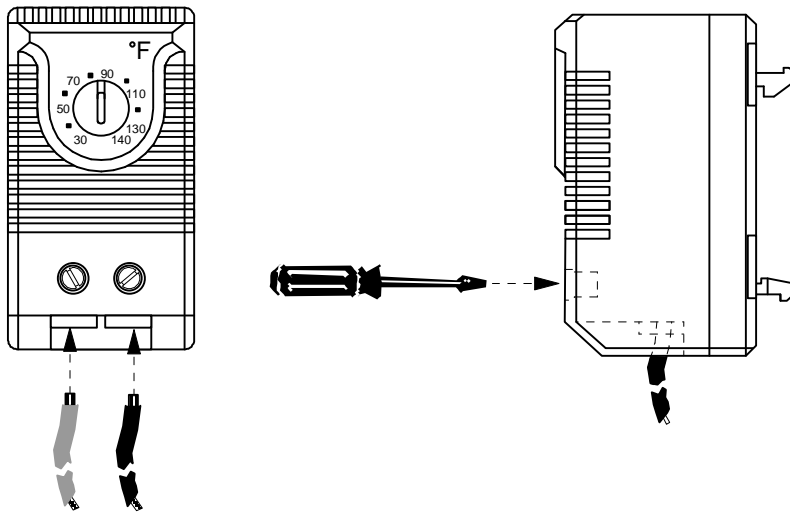
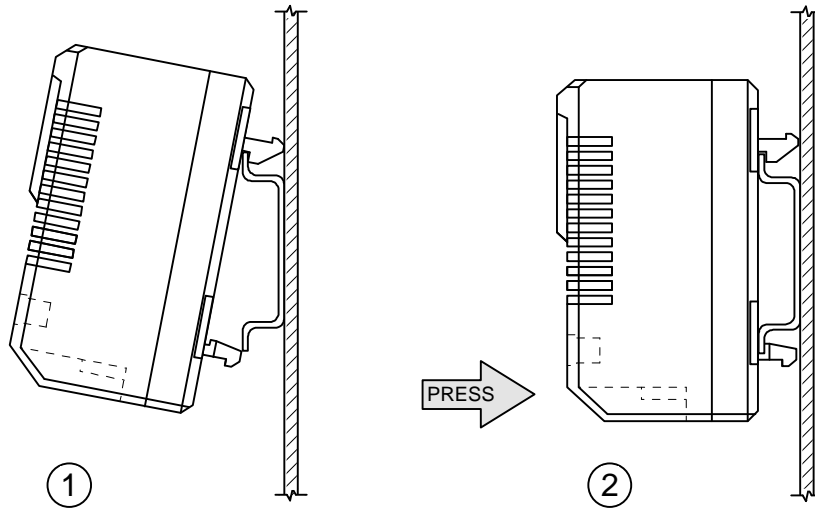
Technical Specifications

- Sensor Type: Bimetal
- Mount: Din Rail
- Switching Capacity: 250 VAC 10A resistive
120 VAC 15A resistive
- Set Range: 0°C (32°F) to 60°C (140°F)
- Connections: 2-pole terminal for AWG 14 max
- Housing: GE Lexan
- Weight: 40g
- Protection Type: Touch Safe
- Approvals: US UL Recognized

Canadian UL Recognized



Thermostat Installation Instructions



Thermostat Removal Instructions

