

AC-DC Power Supply



Part No.: See Chart

Features

- *UL 508 certified
- *UL Class 2 output*
- *Potentiometer for volt adjustment
- *AC/DC Power module
- *Small footprint
- *High efficiency - up to 85%
- *Power Rdy: output on 24VDC models
- *Automatic short circuit protection
- *Automatic overload protection
- *Internal input filter
- *Din rail mounting clip included

Old Model No.	New Model No.	Input Voltage	Output Wattage	Output Voltage	Output Current	Eff. (Typ.)
Single Output Models						
PSD30-05	DRA30-05	85~264 VAC	30 Watts	5 VDC	6.00 Amps	79%
PSD30-12	DRA30-12	85~264 VAC	30 Watts	12 VDC	2.50 Amps	81%
PSD30-24	DRA30-24	85~264 VAC	30 Watts	24 VDC	1.25 Amps	84%
PSD30-48	DRA30-48	85~264 VAC	30 Watts	48 VDC	.625 Amps	83%
PSD60-05*	DRA60-05*	85~264 VAC	50 Watts	5 VDC	10.00 Amps	80%
PSD60-12	DRA60-12	85~264 VAC	60 Watts	12 VDC	5.00 Amps	84%
PSD60-24	DRA60-24	85~264 VAC	60 Watts	24 VDC	2.50 Amps	86%
PSD60-48	DRA60-48	85~264 VAC	60 Watts	48 VDC	1.25 Amps	86%

* Output not UL Class 2 on model DRA60-05A



Specifications

- ***Switching frequency:** > 55kHz
- ***Isolation voltage:** 3,000VAC
- ***Isolation resistance:** 100M Ω (min.)
- ***Operating ambient temperature:** 50°C
- ***Storage temperature:** -25° to +85°C
- ***Max. case temperature:** 65°C
- ***Relative humidity:** 90% RH
- ***Cooling:** free air convection
- ***Transient recovery time:** 300 μ seconds, 50% load step change
- ***Temperature coefficient:** 0.02% / °C
- ***Dimension:** 4.53 x 3.54 x 1.59 in (115 x 90 x 40.5mm)
- ***Approvals:** UL508 Certified UL 1950, UL1310
UL File No. E196362, E190717
CE: EN550022 for EMI
EN55024 for EMS

Input

- ***Input voltage range / frequency:**
85 ~ 264VAC / 47 ~ 63Hz
- ***No load input current:** 10mA
- ***Max. Input voltage:** 265VAC
- ***Inrush current:** <21 A @ 115VAC
<42 A @ 230VAC
- Input fuse:** T2A / 250VAC

Output

- ***Output voltage accuracy:** $\pm 1\%$ @ V_{o_nom}
- ***Output overload:** 105~125%
- ***Line regulation:** $\pm 0.2\%$ @ V_{o_nom}
- ***Load regulation:** $\pm 0.3\%$ @ V_{o_nom}
- ***Ripple & noise:** 50mV (max.) @ full load
- ***Efficiency:** up to 86%, see model list
- ***Case material:** plastic
- ***DC ok indicator:** green LED

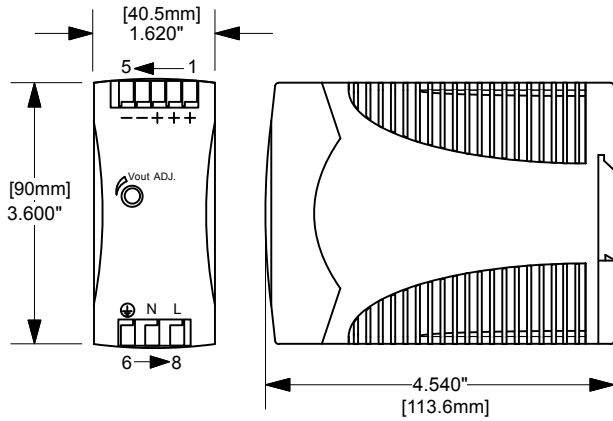
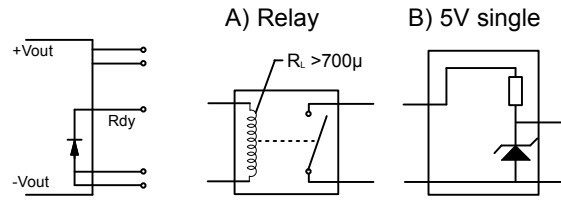


fig. 1

Rdy connection



PIN ASSIGNMENT

PIN NO.	Designation	Description
1	RDY	DC OK output for relay (not connect except 24V model)
2	OUT	+
3		+
4		-
5		-
6	IN	⊕
7		N
8		L
	OTHER	Vout Adj.
		DC OK

CONSTRUCTION

Enclosed plastic housing with fine ventilation grid. Easy snap-on mounting onto the 35mm DIN-Rail. Unit sits safely and firmly on the rail; no tools required even to remove.

INSTALLATION

Ventilation / Cooling: Normal convection above/below 25mm free space for cooling recommended.

Connector size range: solid : 0.2-2.0mm (AWG24-14)

DERATING

