

## VMS120C

Kit includes:

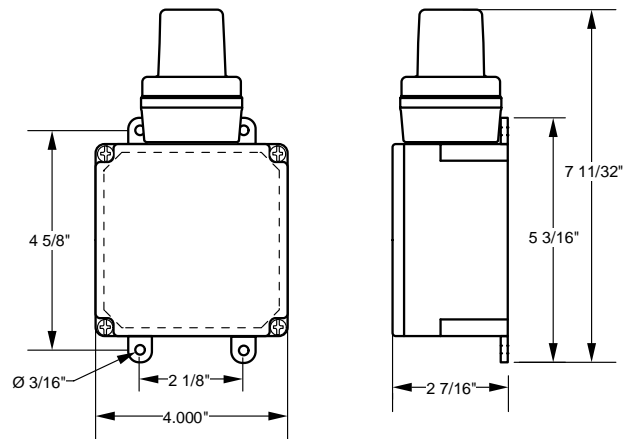
- UL Type 4X 4x4x2" box with external mounting feet
- Hole cut out for Ingram's MS120A
- MS120A - UL Type 4X, 120 VAC strobe light\*
- Includes all necessary hardware except mounting hardware for box.

Price

Kit - \$79.96

Assembled - \$97.48

\*Lens available in Red, Blue, Green, Amber, or clear. Please specify color at time of order. If no color is specified Red is standard.



## VMS120T

Kit includes:

- UL Type 4X 4x4x2" box with external mounting feet
- Hole cut out for Ingram's MS120A
- MS120A - UL Type 4X, 120 VAC strobe light\*
- Includes all necessary hardware except mounting hardware for box.

Price

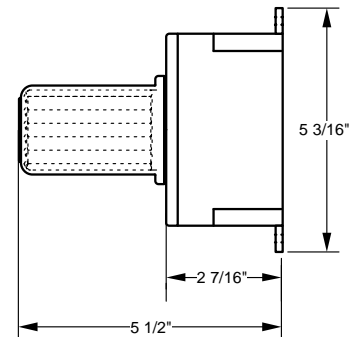
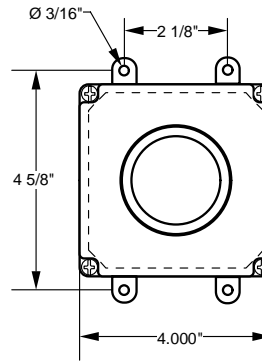
Kit - \$87.81

Assembled - \$107.30

\*Lens available in Red, Blue, Green, Amber, or clear. Please specify color at time of order. If no color is specified Red is standard.

041905

# Visual Alarm



## VMX15C

Kit includes:

- UL Type 4X 4x4x2" box with external mounting feet
- Hole cut out for Ingram's MX15
- MX15 - UL Type 4X, 15 watt, 120 VAC light\*
- Includes all necessary hardware except mounting hardware for box.

Price

Kit - \$35.67

Assembled - \$44.95

## VMX25FC

Kit includes:

- UL Type 4X 4x4x2" box with external mounting feet
- Hole cut out for Ingram's MX25F
- MX25F - UL Type 4X, 25 watt, 120 VAC light with SSF150W flasher\*
- SSF150W - UL Recognized , 120 VAC, 75 Flashes per min. solid state flasher
- Includes all necessary hardware except mounting hardware for box.

Price

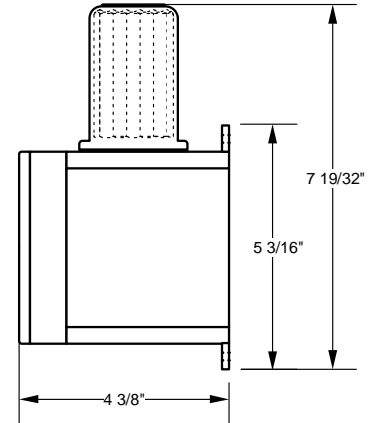
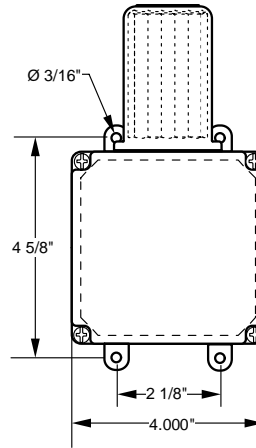
Kit - \$52.95

Assembled - \$63.26

\*Lens available in Red and Amber. Please specify color at time of order. If no color is specified Red is standard.

060405

# Visual Alarm



## VMX15T

Kit includes:

- UL Type 4X 4x4x4" box with external mounting feet
- Hole cut out for Ingram's MX15
- MX15 - UL Type 4X, 15 watt, 120 VAC light\*
- Includes all necessary hardware except mounting hardware for box.

Price

Kit - \$45.26

Assembled - \$54.02

## VMX25FT

Kit includes:

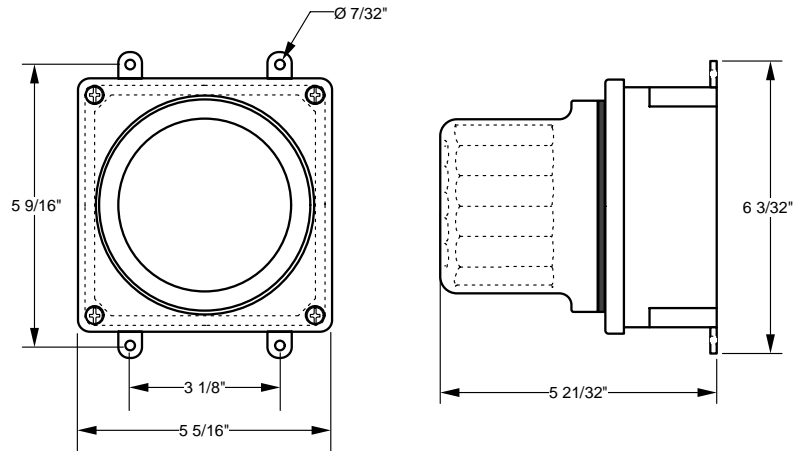
- UL Type 4X 4x4x4" box with external mounting feet
- Hole cut out for Ingram's MX25F
- MX25F - UL Type 4X, 25 watt, 120 VAC light with SSF150W flasher\*
- SSF150W - UL Recognized , 120 VAC, 75 Flashes per min. solid state flasher
- Includes all necessary hardware except mounting hardware for box.

Price

Kit - \$62.54

Assembled - \$75.94

\*Lens available in Red and Amber. Please specify color at time of order. If no color is specified Red is standard.



## VLX25C

Kit includes:

- UL Type 4X 5x5x2" box with external mounting feet
- Hole cut out for Ingram's LX25
- LX25 - UL Type 4X, 25 watt, 120VAC light\*
- Includes all necessary hardware except mounting hardware for box.

Price

Red Lens

Kit - \$56.91

Assembled - \$66.19

Optional Color Lens

Kit - \$61.91

Assembled - \$71.19

## VLX40FC

Kit includes:

- UL Type 4X 5x5x2" box with external mounting feet
- Hole cut out for Ingram's LX40F
- LX40F - UL Type 4X, 40 watt, 120 VAC light with SSF150W flasher\*
- SSF150W - UL Recognized, 120 VAC , 75 flashes per min. solid state flasher
- Includes all necessary hardware except mounting hardware for box.

Price

Red Lens

Kit - \$71.38

Assembled - \$88.91

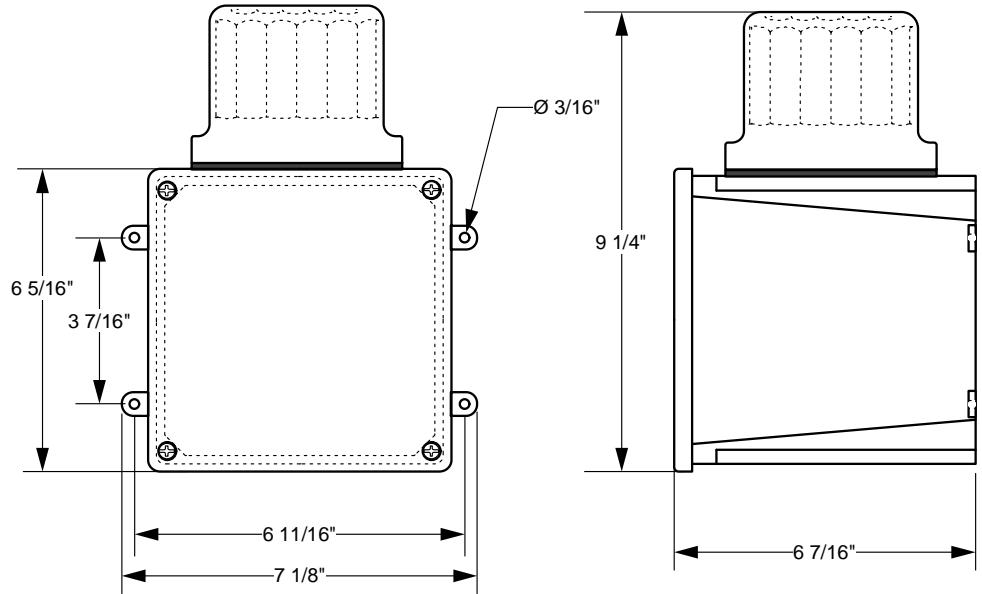
Optional Color Lens

Kit - \$76.38

Assembled - \$93.91

\*Lens available in Red, Blue, Green, Amber, or clear. Please specify color at time of order. If no color is specified Red is standard.

042805



## VLX25S

Kit includes:

- UL Type 4X 6x6x6" box with external mounting feet
- Hole cut out for Ingram's LX25
- LX25 - UL Type 4X, 25 watt, 120 VAC light\*
- Includes all necessary hardware except mounting hardware for box.

Price

Red Lens

Kit - \$66.10

Assembled - \$78.47

Optional Color Lens

Kit - \$71.10

Assembled - 83.47

## VLX40FS

Kit includes:

- UL Type 4X 6x6x6" box with external mounting feet
- Hole cut out for Ingram's LX40F
- LX40F - UL Type 4X, 40 watt, 120 VAC light with SSF150W flasher\*
- SSF150W - UL Recognized, 120 VAC, 75 Flashes per min. solid state flasher
- Includes all necessary hardware except mounting hardware for box.

Price

Red Lens

Kit - \$82.64

Assembled - \$100.68

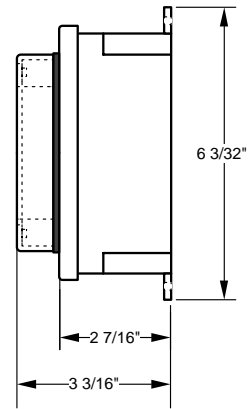
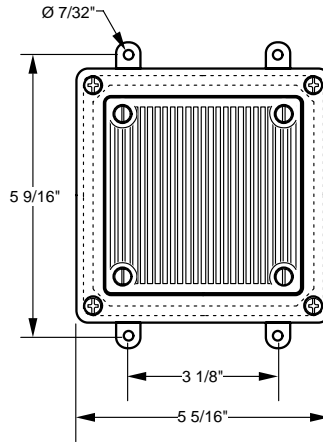
Optional Color Lens

Kit - \$87.64

Assembled - \$105.68

\*Lens available in Red, Blue, Green, Amber, or clear. Please specify color at time of order. If no color is specified Red is standard.

# Audible Alarm



## AS115AC

Kit includes:

- UL Type 4X 5x5x2" box with external mounting feet
- Hole cut out for Ingram's AH115A8R
- AH115A8R- UL Type 4X, 120 VAC Sounder\*
- Includes all necessary hardware except mounting hardware for box.

Price

Kit - \$105.23

Assembled - \$128.22

## AS24DC

Kit includes:

- UL Type 4X 5x5x2" box with external mounting feet
- Hole cut out for Ingram's AH24D2R
- AH24D2R- UL Type 4X, 24 VDC Horn\*\*
- Includes all necessary hardware except mounting hardware for box.

Price

Kit - \$102.34

Assembled - \$124.82

## AS12DC

Kit includes:

- UL Type 4X 5x5x2" box with external mounting feet
- Hole cut out for Ingram's AH12D2R
- AH12D2R- UL Type 4X, 12 VDC Horn\*\*
- Includes all necessary hardware except mounting hardware for box.

Price

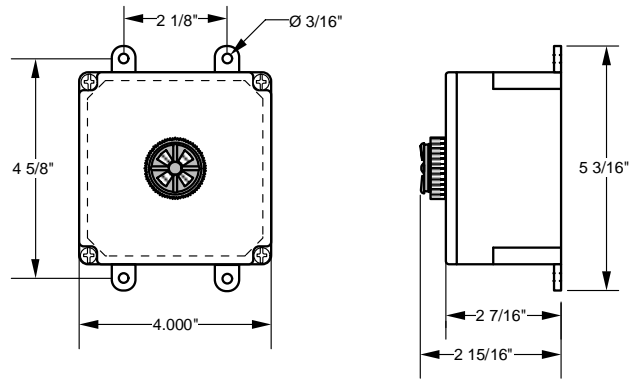
Kit - \$102.34

Assembled - \$124.82

\*Sounder available in Red or Gray

\*\*Horn available only in Red

042805



## APW120C

Kit includes:

- UL Type 4X 4x4x2" box with external mounting feet
- Hole cut out for Ingram's PW120A
- PW120A- UL Type 4X, 120 VAC piezo warbler \*
- Includes all necessary hardware except mounting hardware for box.

Price

Kit - \$36.92

Assembled - \$45.17

## APW24C

Kit includes:

- UL Type 4X 4x4x2" box with external mounting feet
- Hole cut out for Ingram's PW24D
- PW24D- UL Type 4X, 24 VDC piezo warbler \*
- Includes all necessary hardware except mounting hardware for box.

Price

Kit - \$36.92

Assembled - \$45.17

## APW12C

Kit includes:

- UL Type 4X 4x4x2" box with external mounting feet
- Hole cut out for Ingram's PW12D
- PW12D- UL Type 4X, 12 VDC piezo warbler \*
- Includes all necessary hardware except mounting hardware for box.

Price

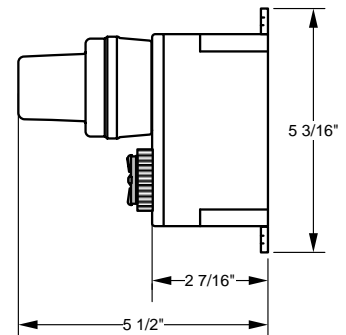
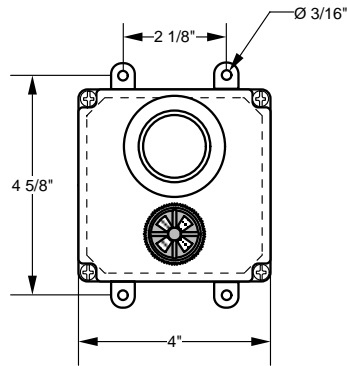
Kit - \$36.92

Assembled - \$45.17

\*Warbler available in Red or Black

042805

# Audible/Visual Alarm



## AVPWMS120C

Kit includes:

- UL Type 4X 4x4x2" box with external mounting feet
- Hole cut out for Ingram's PW120A and MS120A
- PW120A- UL Type 4X, 120 VAC piezo warbler \*\*
- MS120A - UL Type 4x, 120 VAC strobe light \*
- Includes all necessary hardware except mounting hardware for box.

Price

Kit - \$101.27

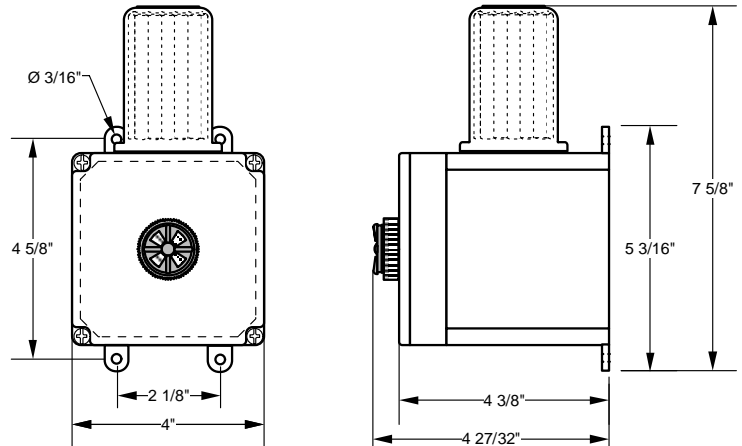
Assembled - 112.61

\*Lens available in Red, Blue, Green, Amber, or clear. Please specify color at time of order. If no color is specified Red is standard.

\*\* Warbler available in Red or Black.

042805

# Audible/Visual Alarm



## AVPW120CMX15T

Kit includes:

- UL Type 4X 4x4x4" box with external mounting feet
- Hole cut out for Ingram's PW120A and MX15
- PW120A - UL Type 4X, 120 VAC piezo warbler\*\*
- MX15 - UL Type 4X, 15 watt, 120 VAC light\*
- Includes all necessary hardware except mounting hardware for box.

Price

Kit - \$72.49

Assembled - \$88.26

## AVPW120CMX25FT

Kit includes:

- UL Type 4X 4x4x4" box with external mounting feet
- Hole cut out for Ingram's PW120A and MX25F
- PW120A - UL Type 4X, 120 VAC piezo warbler\*\*
- MX25F - UL Type 4X, 25 watt, 120 VAC light with SSF150W flasher\*
- SSF150W - UL Recognized, 120 VAC, 75 Flashes per min. solid state flasher
- Includes all necessary hardware except mounting hardware for box.

Price

Kit - \$88.49

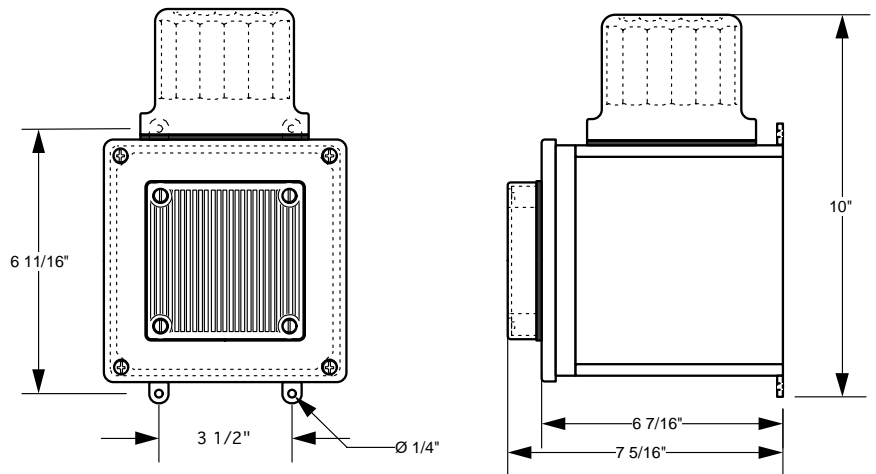
Assembled - \$107.88

\*Lens available in Red and Amber. Please specify color at time of order. If no color is specified Red is standard.

\*\*Warbler available in Red or Black

042805

# Audible/Visual Alarm



## AS115CLX25S

Kit includes:

- UL Type 4X 6x6x6" box with external mounting feet
- Hole cut out for Ingram's AH1158R and LX25
- AH115A8R- UL Type 4X, 120 VAC Sounder\*\*
- LX25 - UL Type 4x, 25 watt, 120 VAC light\*
- Includes all necessary hardware except mounting hardware for box.

Price

Red Lens

Kit - \$140.74

Assembled - \$171.57

Optional Color Lens

Kit - \$145.74

Assembled - \$ 176.57

## AS115CLX40FS

Kit includes:

- UL Type 4X 6x6x6" box with external mounting feet
- Hole cut out for Ingram's AH1158R and LX40F
- AH115A8R- UL Type 4X, 120 VAC Sounder\*\*
- LX40F - UL Type 4x, 40 watt, 120 VAC light with SSF150W flasher\*
- SSF150W - UL Recognized , 120 VAC, 75 Flashes per min. solid state flasher
- Includes all necessary mounting hardware except mounting hardware for box.

Price

Red Lens

Kit - \$164.99

Assembled - \$200.04

Optional Color Lens

Kit - \$169.99

Assembled - \$205.04

\*Lens available in Red, Blue, Green, Amber, or clear. Please specify color at time of order. If no color is specified Red is standard.

6-04-04