

DC Audio Alarm & Beacon



Part No. Sounder31: AH03127-BS



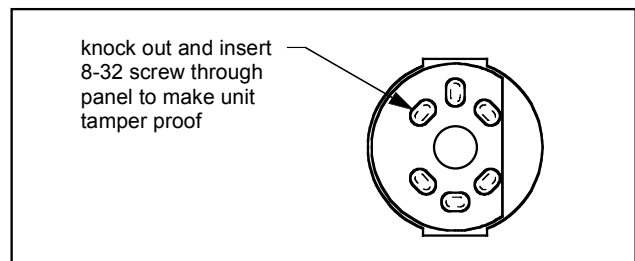
The Sounder31 siren with LED was designed for use in industrial control systems as well as for use in fire alarm and security systems. The combination audio and visual is particularly useful in areas with high ambient noise levels where an audible signal may not be heard.

Features

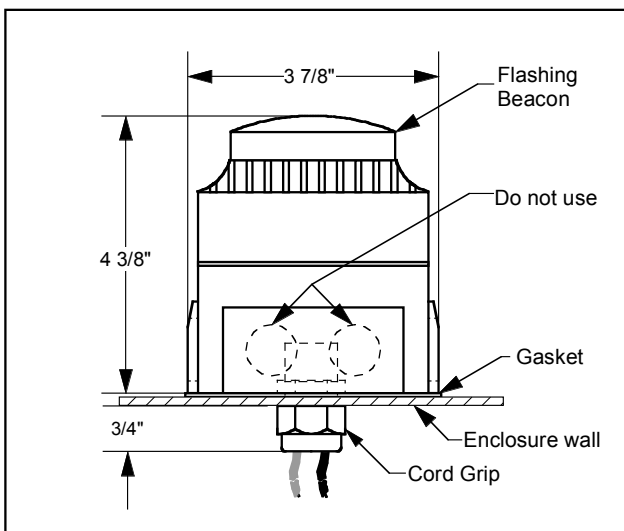
- 31 tones selectable by dip switch
- Weather proof
- High sound output
- Variable output
- Low current consumption
- 12/24 VDC auto select
- High efficiency lens for maximum light output
- High Reliability LED Light Source
- Two sets of in and out terminals for parallel operation
- Multiple mounting methods
- Easy one hole mounting - 1/2" KO or 7/8" hole
- Add 8-32 screw to make unit tamper proof
- Supplied with UL Listed cord grip that accepts wire from 1/8" - 3/16" OD

Technical Specifications

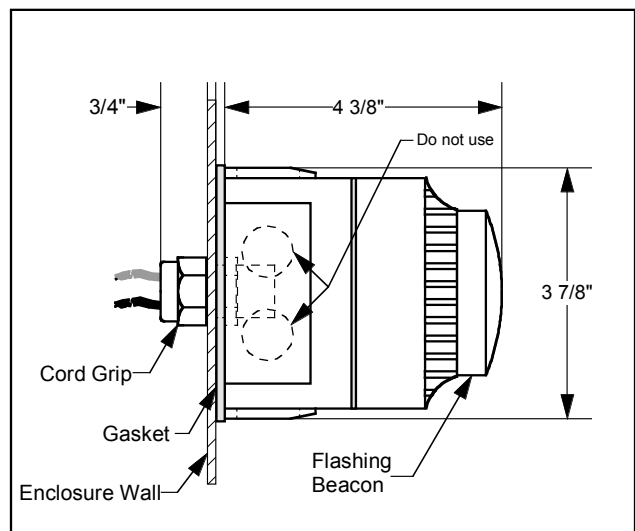
- Voltage: 12~24 VDC
- Current Draw: 34mA max
- Vertical Mounting not recommended for outdoor use
- Do not use two knock outs in front of unit



Bottom View



Mounting for Indoor Use



Mounting for Outdoor Use