

Flashing 15 Watt Alarm Light



Part No. LX15F



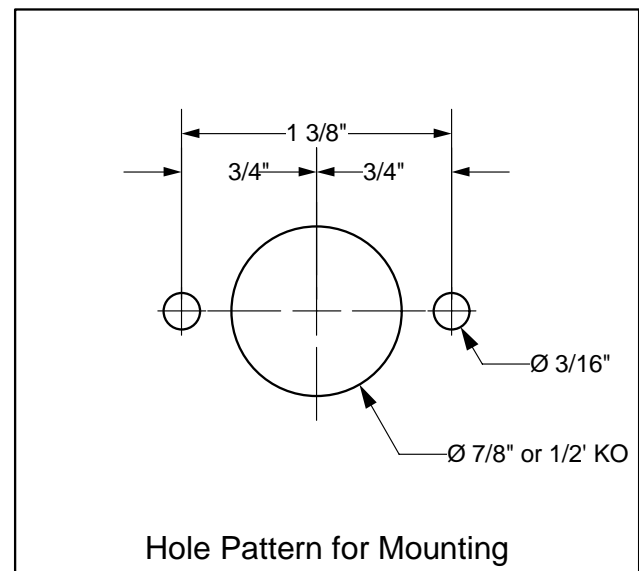
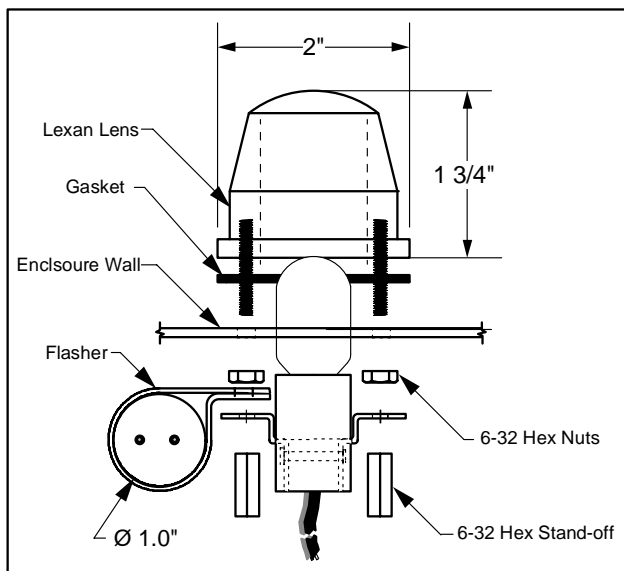
The Ingram LX15F is a NEMA and UL Type 3, 3R, 4, 4X, 12 and 13 low cost, low profile, flashing panel mount alarm light suitable for heavy duty applications inside and outdoors. The lens is molded from shatter resistant GE Lexan. This alarm light is particularly useful on small panels.

Features

- UL Recognized
- Low profile
- Easy to install
- Tamper Resistant
- Shatter resistant GE Lexan globe
- Supplied with 15W bulb and Solid State Flasher (part no. SSF150W)
- Can be used as a pilot light
- Available in red, amber and green
- Other colors available by special order

Technical Specifications

- Model: LX15FA specify color when ordering
- Flashes Per Minuet: 75FPM
- UL Recognized: Type 3, 3R, 4, 4X, 12, 13
- Voltage: 130 VAC Standard
- Current Draw: 130VAC = 125 mA
- Must be used with Ingram's solid state flasher - Part no. SSF150W



NOTE: The LX15F alarm light must be used with Ingram's SSF150W solid state flasher in order to comply with UL requirements.