

The Horn 12 or 24 VDC Alarm



Part No. AH12D2R (12 VDC) and AH24D2R (24 VDC)



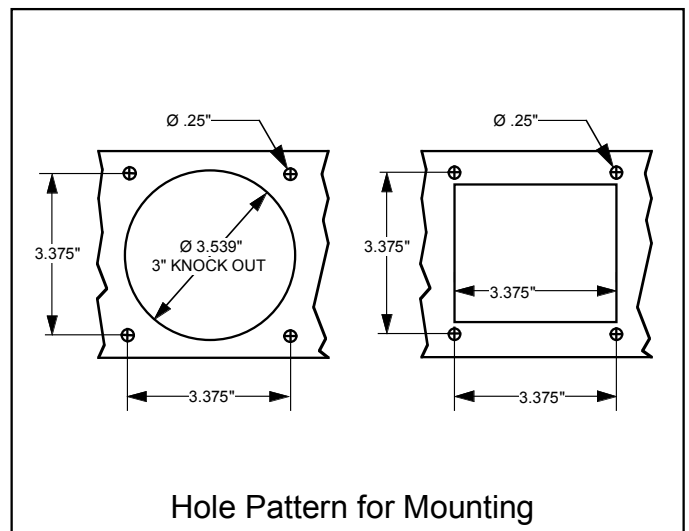
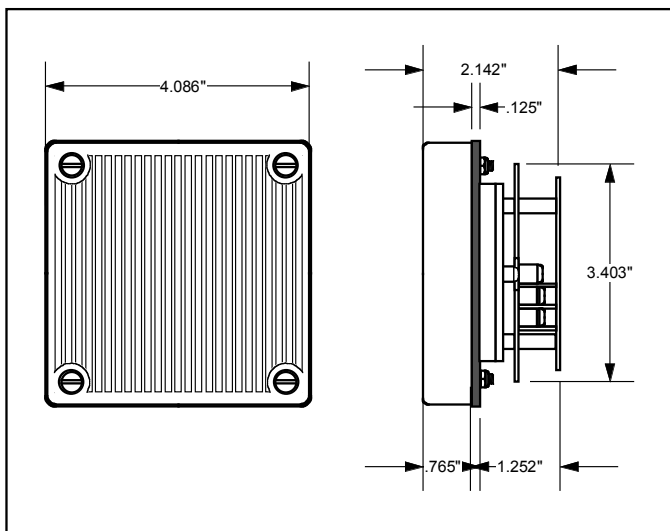
The Ingram AH12D2R and AH24D2R are NEMA and UL Type 4X alarm horns suitable for heavy duty applications inside and outdoors. This horn features two user selectable alert sounds with three user selectable sound level outputs. Add quality to your control panel with the Ingram Sounder.

Features

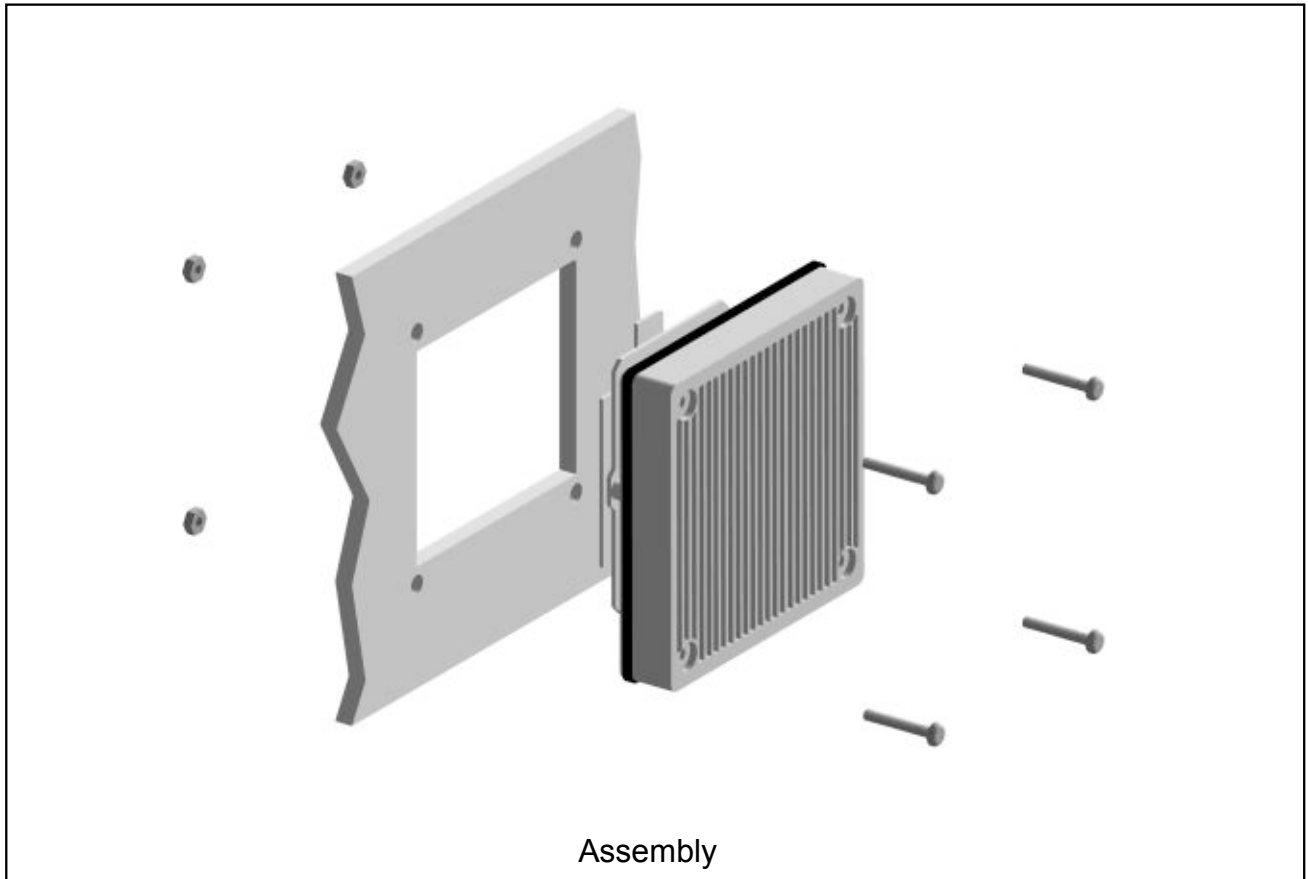
- UL listed (E175530) for use in NEMA and UL Type 3, 3R, 4, 4X, 12 and 13
- Loud: 110+ decibels at 5 feet
- 2 user selectable alert sounds
- 3 user selectable sound output levels
- Low profile protrudes less than 1" from mounting surface
- Does not generate electrical noise due to piezo electronic sound element
- Self locking stainless steel hex nuts makes it tamper resistant
- Highly reliable solid state circuitry

Technical Specifications

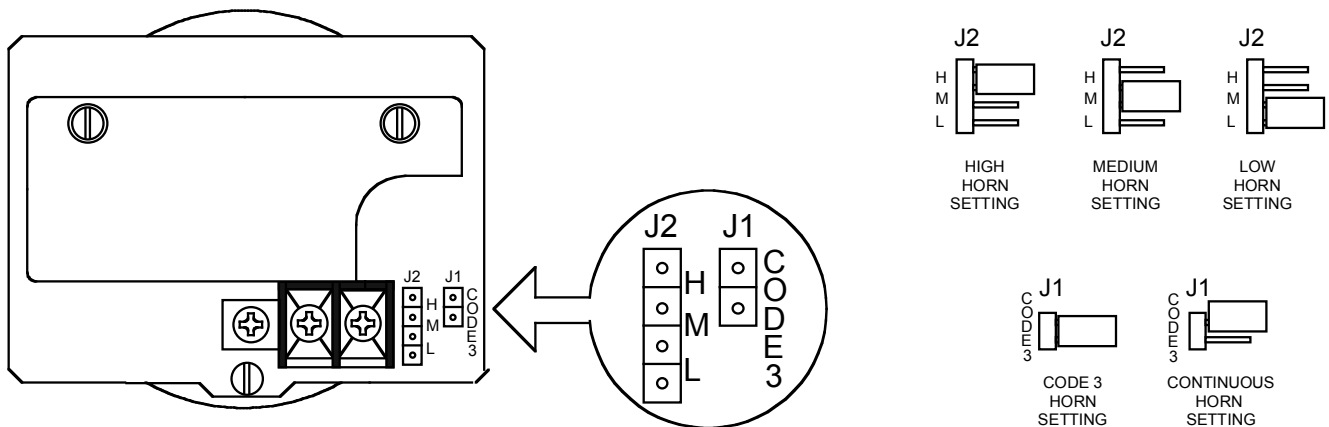
- Voltage: AH12D2R - 12 VDC
AH24D2R - 24 VDC
- Average current draw: 100 mA @ 12VDC
41 mA @ 24VDC
- Ambient operating temperature: -40°F - 151°F
- Maximum humidity of 93% RH±2%
- Each screw clamp terminal will accept two #18AWG - #12AWG wires.
- 3 year warranty
- Available in Red



⚠ WARNING: Do not operate this device within 15 inches of a person's ear. Exposure to such high sound level can result in permanent damage to a person's hearing.



Jumper Plug Setting For High, Medium and Low dB And Code 3 Horn



Note: The code-3 Horn and Tone alert sounds are reserved for emergency evacuation signaling. They should not be used for any other purpose!