

Sunlight Visible LED Bulbs



Part No. - LS3483 & LS3463 Series - Refer to Key for Specific Part Number



Ingram has designed a variety of daylight visible, low power LED bulbs for your alarm needs. The LS3483 series fits Ingram's LX25 and LX40F alarm lights. The LS3463 series fits our MX15 and MX25F alarm lights. These screw-in type bulbs fit standard medium base (E26) sockets. Unlike incandescent bulbs that fail catastrophically when the filament burns out or is broken, LED matrix designs will continue to light, should a single LED or a row fail.

NOTE: Use Ingram's SSF1224D DC Flasher or SSF150W AC Flasher in applications where flashing bulbs are required. For proper flash operation with the SSF150W at 120VAC, you will need a 3KΩ, 20 watt resistor in parallel with the bulb. See reverse side for illustration.

Features

- Fits standard medium base (E26) socket
- Stays lit should one or several LEDs fail
- Reduced power consumption makes smaller battery backups possible
- Durable - not as fragile as incandescents
- Available in up to three colors

Technical Specifications

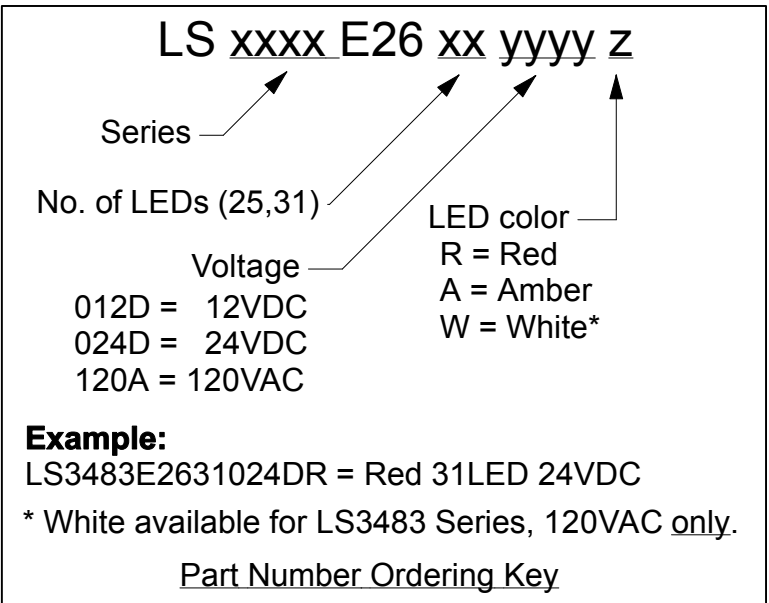
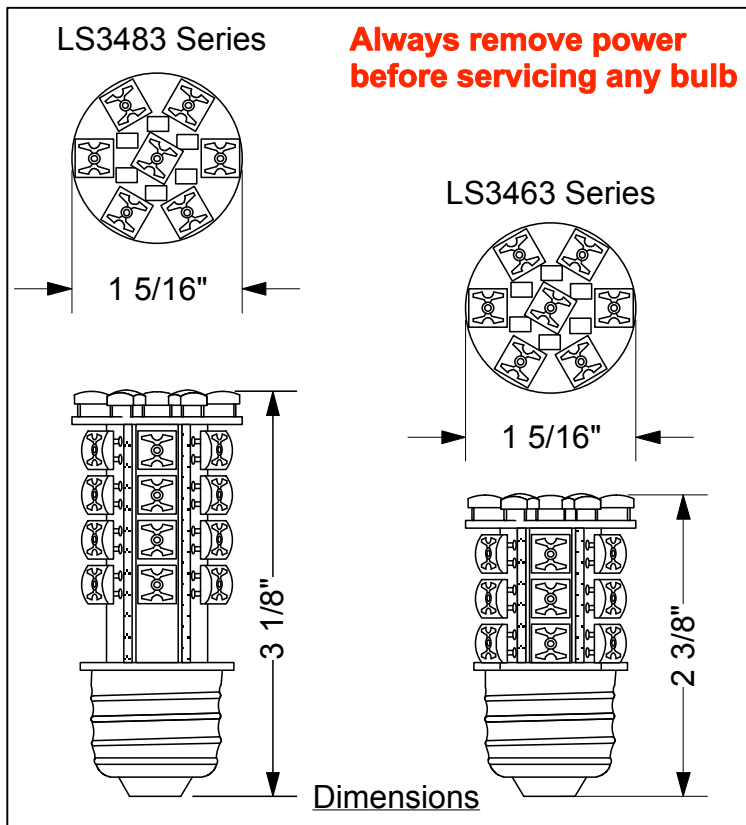
- Available in 12VDC, 24VDC and 120 volts.

LS3483 - 31 LED matrix.

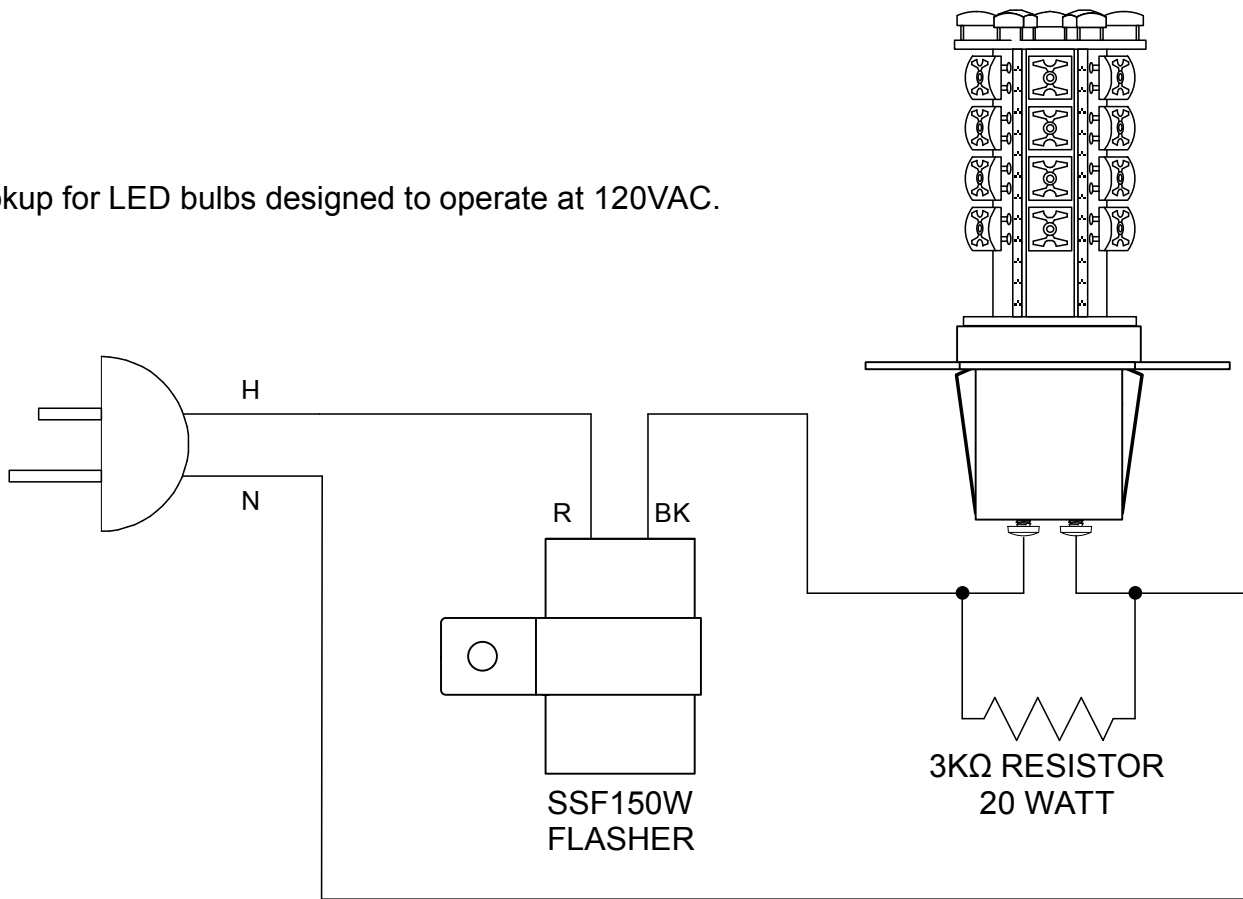
- Available in red, amber and white *
- Current draw:
 - 23mA @ 120VAC
 - 76mA @ 24VDC
 - 82mA @ 12VDC

LS3463 - 25 LED matrix.

- Available in red and amber
- Current draw:
 - 27mA @ 120VAC
 - 93mA @ 24VDC
 - 115mA @ 12VDC



Hookup for LED bulbs designed to operate at 120VAC.



Hookup for LED bulbs designed to operate at 12 or 24 VDC.

