

GFCI Safety Outlet



Part No. EH-05



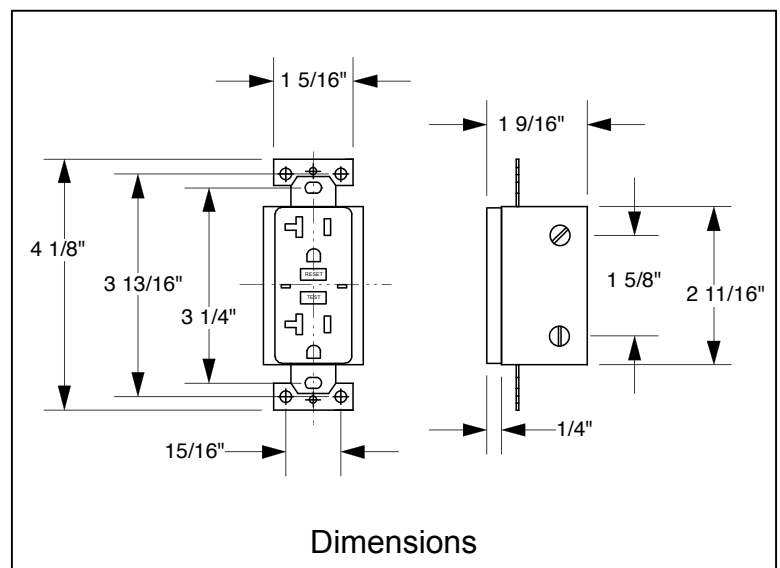
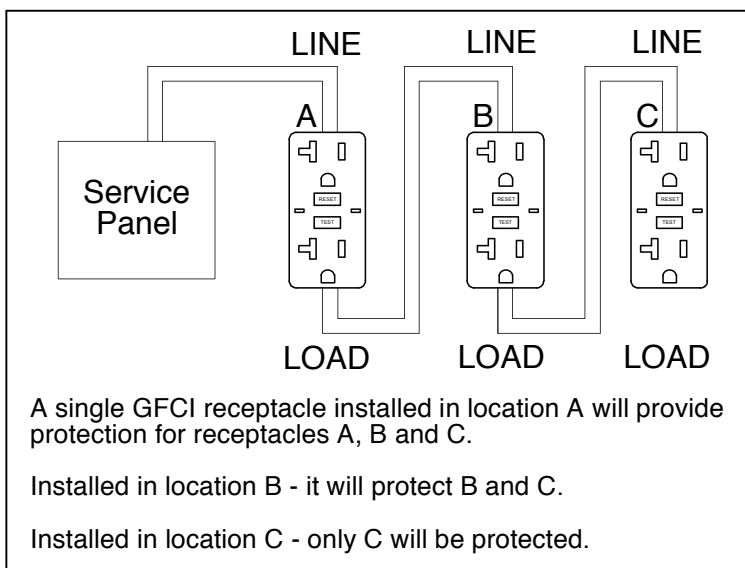
GFCI (Ground Fault Circuit Interrupter) receptacles can prevent serious injury by monitoring the balance of current flow in a circuit. When a ground fault is detected, such as when a person touches a defective appliance that is "hot" due to defective wiring or other problem, the GFCI will immediately detect the condition and cut off electric power to the outlet. The device can then be reset, providing continuous protection against fatal electrical shock. The National Electrical Code now requires Ground Fault protection for outlets servicing countertops, wet/damp locations and all new residential construction.

Features

- Duplex receptacle
- Reset button restores outlet power
- Test button for monthly testing
- Fail safe operation, will not operate when mis-wired
- Improved resistance to surge and corrosion.
- Wires can be installed from the side or back.
- Two LED indicators:
 - one green to indicate proper operation
 - one red to indicate end-of-life
- Comes with wall cover plate, mounting hardware and complete installation and troubleshooting instructions.

Technical Specifications

- Voltage: 120VAC - 60Hz
- Current: Up to 20 Amps
- UL Listed - E253345
- Three prong outlet accepts 2 or 3 prong 15A & 20 A plugs
- Provides protection to downstream "load" receptacles
- See reverse side for handy troubleshooting tips.



Troubleshooting Chart

Symptom

Cause ↓	Pushing Test Button Does Not Pop Out Reset Button.	Reset won't stay in when pushed.	Reset button is out. Outlet still functions.	Reset button is in. Outlet does not function.	Reset button pops out when device plugged into socket is turned on.
Ground fault downstream.	-	Yes	-	-	Yes
Line and load reversed.	-	Since 2003	Yes	-	-
Other miswiring of GFCI	-	Yes	-	Yes	Yes
120 Volts not reaching GFCI	Yes	Since 2003	-	Yes	-
Reset button not pushed in well enough	Yes	Yes	-	-	-
Defective GFCI	Yes	Rare	-	Yes	-