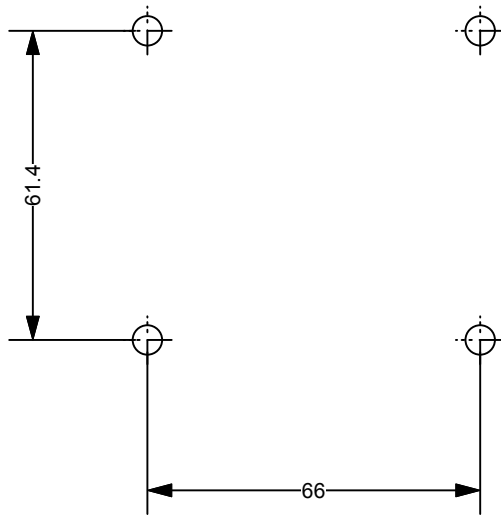


PUMP COMES WITH RUBBER VIBRATION DAMPING MOUNTING FEET - NOT SHOWN HERE.

R0: Created - 6/28/08.
 R1: Corrected dimensions for mounting holes.

SCALE = 2/3



MOUNTING HOLES



INGRAM
PRODUCTS INC.

Description: Replacement Pump for BASCR-30,BASCR-30N

Date: 9-24-08

Drawn by: BSW

Part No. PV27P19M120A

Dwg. No. PV27P19M120A

Rev. No. 1

Sheet 1 of 2